

# **H&S PARTS BOOK**

## **HP4155 SPREADER**



Revision #01  
Starting Ser. #615231

Part #72691  
HSMFG0616

**P.O. BOX 768, MARSHFIELD, WI 54449  
(715) 387-3414 FAX (715) 384-5463  
[www.hsmfgco.com](http://www.hsmfgco.com)**



**56 CI H ADFCJ9A9BHG**

Y ^ Á ~ • ó @ | - | ^ É Á • ^ | ç Á @ Á ã @ Á ã ^ Á ] | | ç { ^ } • Á | & @ \* ^ Á @ } ^ ç | Á ^ & { ^ • Á | ã ã Á ã  
á [ Á | É ã @ ~ ó & | | ã \* Á ^ Á ã ã } Á Á ã ^ & @ \* ^ Á | ã ã ã } • Á @ Á ~ ã { ^ } Á | ^ ç ã ~ | ^ Á | ã É

FÈ T [ á ^ | B Á | ã Á ~ { à | Á | [ ç ã Á @ { Á ã @ Á | | | , ã \* K

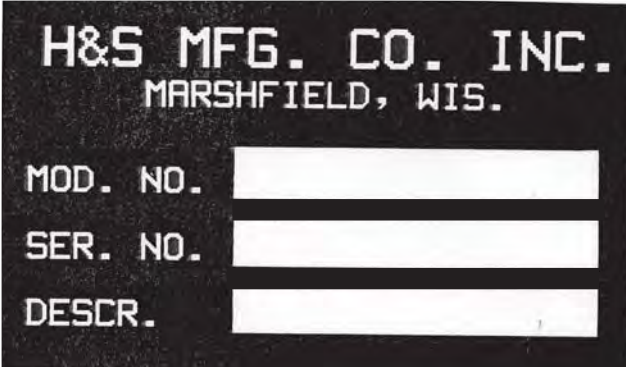
GÈ O Á ^ - ^ | ^ } & • Á | Á - Á | Á ã @ Á ] | ^ Á @ Á ã @ Á ã ã , ^ á Á | { Á @ Á ã É

HÈ Ú ã • Á @ ~ | á Á | ç Á | á ^ | á Á | { Á | ~ • ç ã } Á | | É | ^ ã ^ Á | á ^ | Á | { } | ^ Á ã ã ~ { à | É

I È G Á | ~ | Á ^ Á | Á @ Á | Á | á ^ | Á ã • Á ã ~ Á @ ] ã \* Á • ç & ç } • K

X O Á ~ & Á ã \* ^ Á ã & • Á | ^ ã ^ Á | ^ ã Á | ã ã ~ & Á ã ^ • D

X O Á | ã á Á ã & Á | ç Á | Á ã & ~ á Á | | Á á | ^ • D



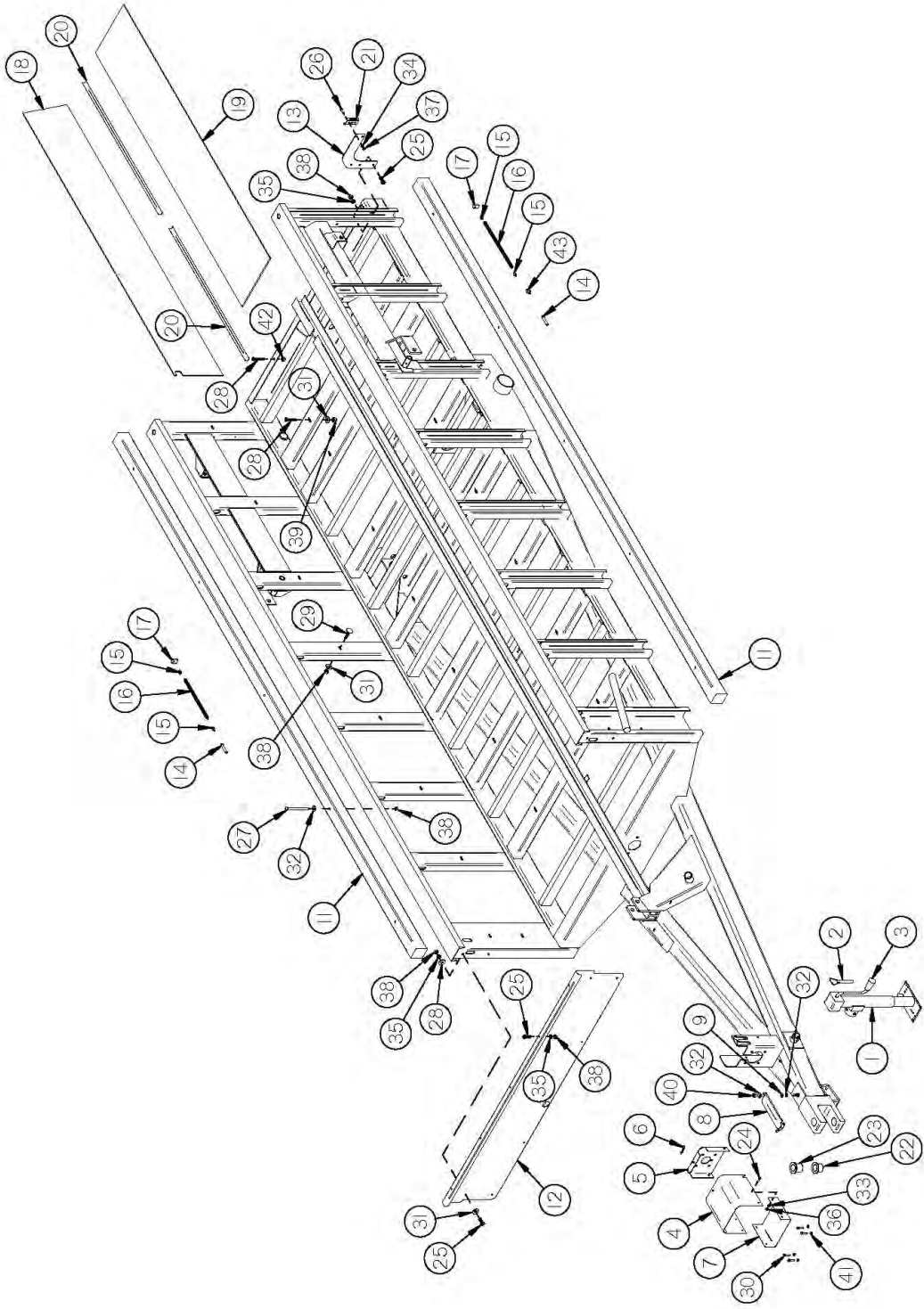
UŠÒÈÙÒÁÙÒÙÜÖÁWT ÓÙÙÁÙÜÁUWÜÁMPVÁÙÜÁWÔSÁÙÒÙÙÒÙÒÙÙ

**56 CI H ADFCJ9A9BHG**

PBÙÁÙÙÙPVCWÔŠŸÁVÜXQÖÁUÁÚ ÚÜUXÒÁÙÁÜÜÖWÔVÙ

Y ^ Á ~ • ó @ | - | ^ É Á • ^ | ç Á @ Á ã @ Á ã ^ Á ] | | ç { ^ } • Á | & @ \* ^ Á @ } ^ ç | Á ^ & { ^ • Á | ã ã Á ã  
á [ Á | É ã @ ~ ó & | | ã \* Á ^ Á ã ã } Á Á ã ^ & @ \* ^ Á | ã ã ã } • Á @ Á ~ ã { ^ } Á | ^ ç ã ~ | ^ Á | ã É

**: 4 | F9 %**  
**: F5 A9 '5 GG9 A6 @M**



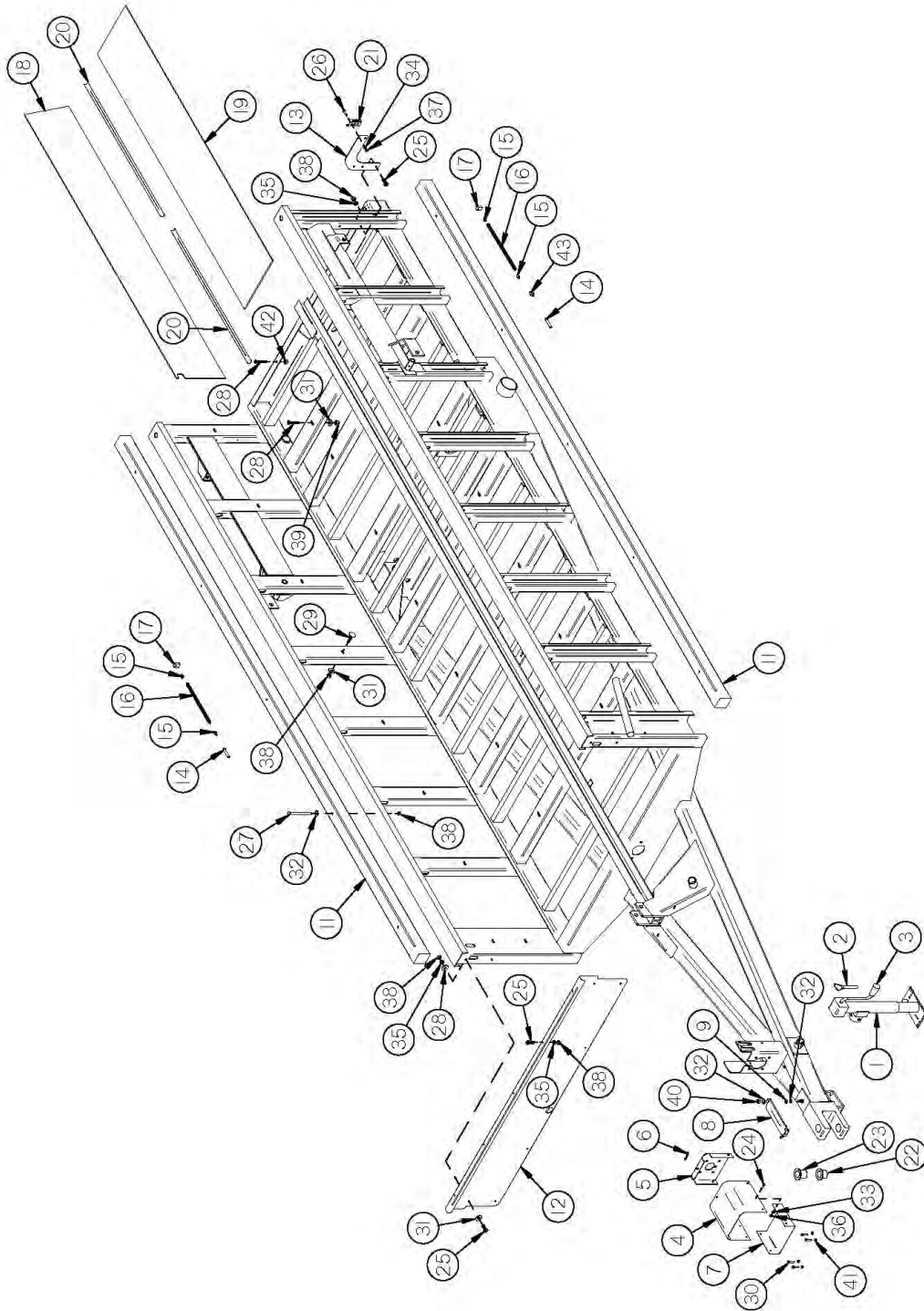
**: = I F9 %**  
**: F5 A9 5 GG9 A6 @M**

<b><u>H9 A</u></b>	<b><u>E HM</u></b>	<b><u>PART #</u></b>	<b><u>DESCRIPTION</u></b>
1	F	G P I J	JACK
2	1	G P I €	TJP-PN58 5/8" PIN & CHAIN
3	1	FG P FFJ	JACK HANDLE
4	1	F I ù XHGJ	PTO SHIELD
5	1	I G P F	SHIELD MOUNT
*	2	YMRV10005	5/16" X 1 SLD RIVET FLT NAIL HD PLAIN
6	1	Y Ú P Ü € G E E I	HAIR PIN, #21-05 (1-7/8" LONG, 3/8-7/16" SHAFT)
7	1	F I ù XHG I	PTO SHIELD BOTTOM
8	1	I G P G	PTO HOLDER
9	1	I G P H	SPRING
10	1	FG P FI	JACK MOUNT
11	2	42N4	WOOD RAIL
12	1	55N1	FRONT PANEL
FH	1	42N43	SMV BRACKET
FI	1	66077	NIPPLE, 1/8" MALE PIPE X 2-1/2"
F I	2	S47	GREASE FITTING
F I	4	42N41	GREASE LINE
F I	2	16V9	GREASE BRACKET
F I	2	55N4	SIDE POLY RIGHT
*	1	55N5	SIDE POLY LEFT
19	1	42N10	FLOOR POLY RIGHT
*	1	42N11	FLOOR POLY LEFT
*	1	42N12	POLY SIDE ANGLE

**BCH9. . . . A95 BG BCH G < CK B**



1 F9%  
F5 A9 5 GG9 A6 M









:= I F9`&

H5 B89A`5 L @

<u>#H9 A</u>	<u>E HM</u>	<u>D5 FH</u>	<u>DESCRIPTION</u>
1	4	1 @ F1	WHEEL, 22.5 X 13.0, 10 BOLT, OFF-WHITE
*	4	16SV88	TIRE 425 X 22.5
2	2	16SV214	AXLE MOUNT
3	4	16SV75	OUTER AXLE BEARING
4	1	55N2	TANDEM AXLE LEFT
5	1	55N3	TANDEM AXLE RIGHT
6	4	31N14	LH SIDE PLYWOOD
7	4	66N15	TANDEM SPINDLE
8	4	60N8	871 CAST HUB W/RACES ONLY , 10 BOLT
9	4	60N5	SEAL - 600 BUSHEL
10	4	60N7	INNER BEARING--600 BUSHEL

**BCH9.`5`A95 BG`BCH`G<CK B**



: 3 | F9`&

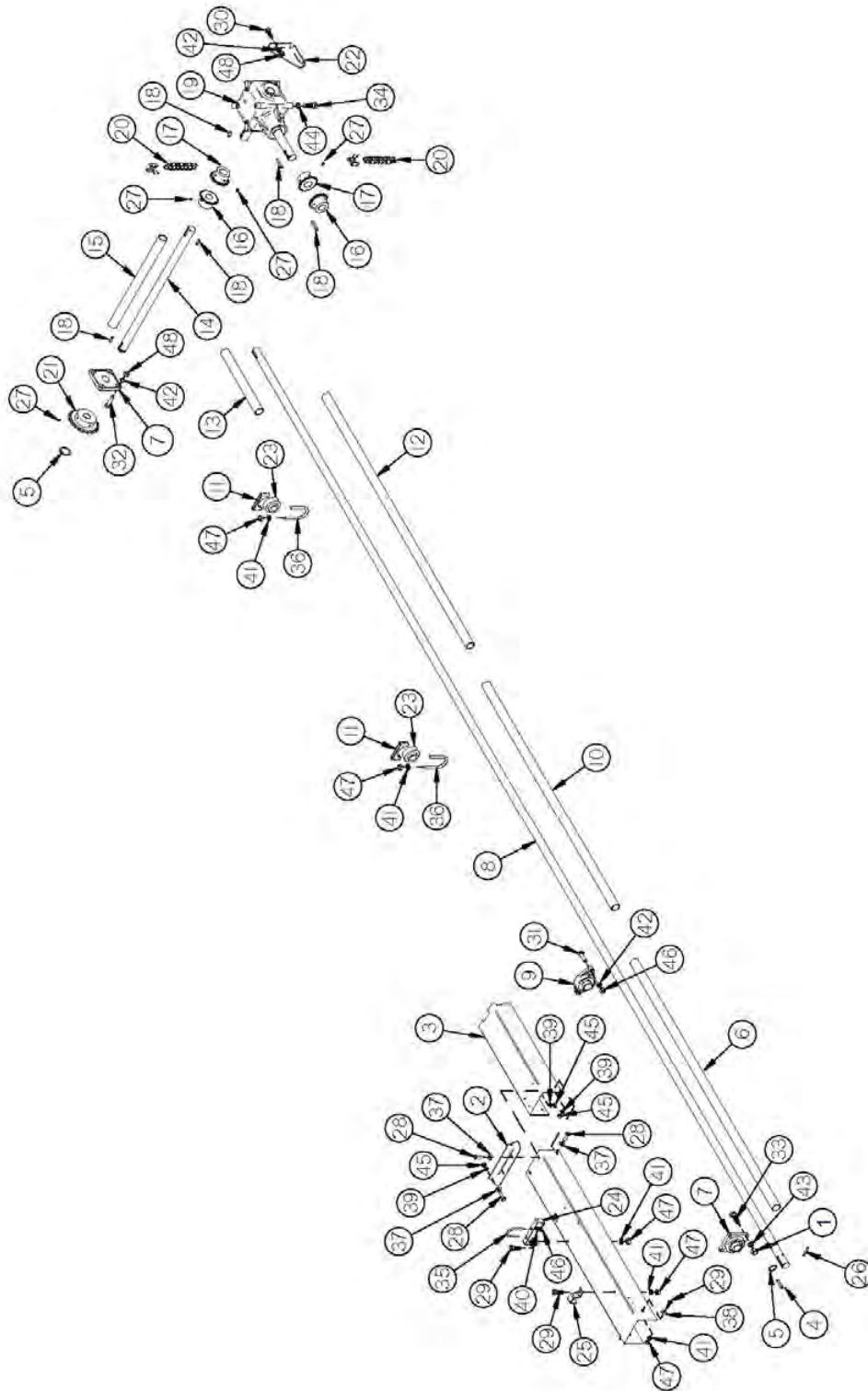
H5 B89A`5 L @

<u>#H9 A</u>	<u>E HM</u>	<u>PART #</u>	<u>DESCRIPTION</u>
FF	4	Î ̢ Î	INNER RACE
12	4	60N10	OUTER RACE
13	4	Î ̢ J	OUTER BEARING
14	4	Î ̢ G	WASHER
15	4	ÿ ̢ Ô ̢ H ̢ € €	HEX NUT, CASTLE, 1-1/4"-12
16	4	ÿ Ú Ô V € € € €	COTTER PIN 5/32" X 1-1/2"
17	4	Î ̢ FF	HUB CAP
18	32	ÿ Ó Ú Ö G € € € €	STUD BOLT, 3/4"-16 UNF X2-3/4" (3/4" SHOULDER)
19	32	ÿ ̢ Y Š G € €	WHEEL NUT, 3/4"-16 UNF GR. 8
20	2	ÿ Ó P P F Î F Î 5	BOLT, 1/2" X 6" GR.5
21	2	YNNY16005	HEX NUT, NYLON LOCKNUT, 1/2"
*	16	YBHH10020	BOLT, 5/16 X 1/2" GR.5

**BCH9.``t`A95BG`BCH`G<CK B**

:= I F9'

695H9F'8F=J9'HF5=B



: = I F9'

695H9F'8F=J9'HF5=B

<u>H9 A</u>	<u>QTY</u>	<u>D5 FH'</u>	<u>89G7F=DHCB</u>
F	4	YNHX18005	HEX NUT, 9/16"-12
G	1	I GFI	ΦÚWÁJP ÆŠÖÁÆ ÆÖŠÖ
H	1	I GFÍ	ΦÚWÁJP ÆŠÖÁÖÆŠ
I	1	ÙFHÌ	ΗΔÁΥΓΑΗΔΑΣΟΥΑΥ ΕΛΙΟΥΜΠΟΑΠΟÙ
Í	2	FGÍ G	ÙΠÆÁÚΦ Æ
Î	1	I GFÏ	ΦÚWÁJXÔÁJP ÆŠÖ
Ï	2	FGJJ	ÓÒÆÚΦ Æ
Ì	1	I GFÌ	ΦÚWÁJP ÆV
J	1	I GFÌ	ÓÒÆÚΦ Æ
Æ	1	I GFJ	ÖÜXÒÁJP ÆVÁ ÆÒΠVÒÙÁJXÔÁJP ÆŠÖ
FF	2	I GFHÌ	ÓÒÆÚΦ ÆÁJÆÖŠÖ
FG	1	I GFÆ	ÖÜXÒÁJP ÆVÁ ÆÖŠÖÁJXÔÁJP ÆŠÖ
FH	1	I GF	ÖÜXÒÁJP ÆVÁ ÆÖÆŠÁJXÔÁJP ÆŠÖ
FI	1	ÍÏÌH	CROSS SHAFT - FOR CLUTCH
FÍ	1	I GFH	ÖÜUÙÁJP ÆVÁJXÔÁJP ÆŠÖ
FÎ	2	I GF	ÙÚÚÛÖSÒVÁ ÆÖÆÆÆÆÆÁÓUÙÒ
FÏ	2	I GF	ÙÚÚÛÖSÒVÁ ÆÖÆÆÆÆÆÁÓUÙÒ
FÌ	5	ÍÏΠFI	ΗΔÁΥΓΑΣΟΥΑΥ ΕΛΙΟΥΜΠΟΑΠΟÙΑΠÆÚÒΠÒÖD
FJ	1	I GF	ÓÒÆÚÓUÝ
Æ	2	PÖXFG	ÓUΠΠÒÓVUÙÁΠΠÆÁÍ ΕΛΙΟΓΑΛΩΠÒÙ
GF	1	ÍÏÏJ	CLUTCH, OVER RUNNING
GG	1	I GF I J	ÓÒÆÚÓUÝ ÆWÙÙÒV
GH	2	I GFÆ	ÓÒÆÚΦ Æ

:= I F9"

695H9F`8F=J9`HF5=B

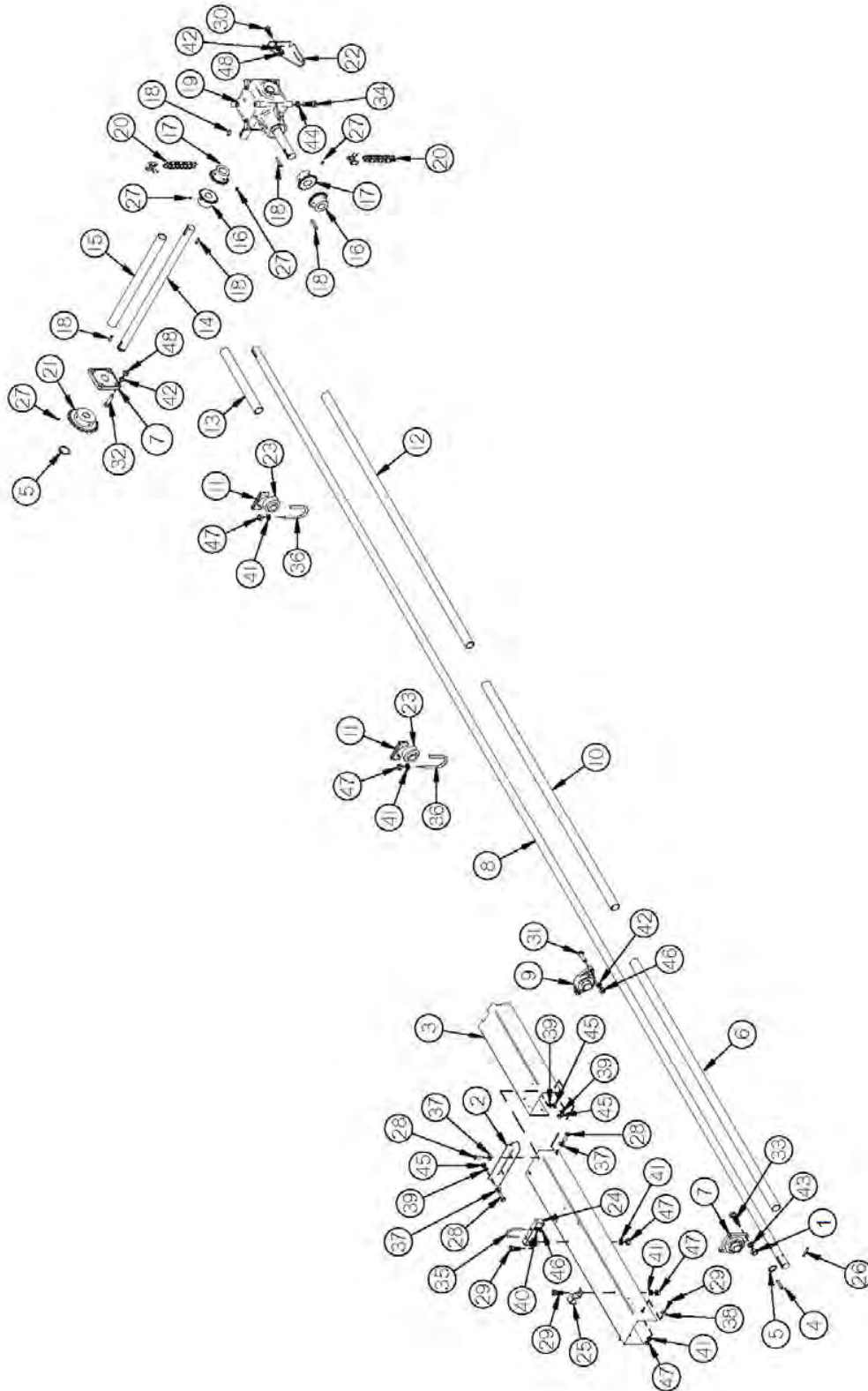


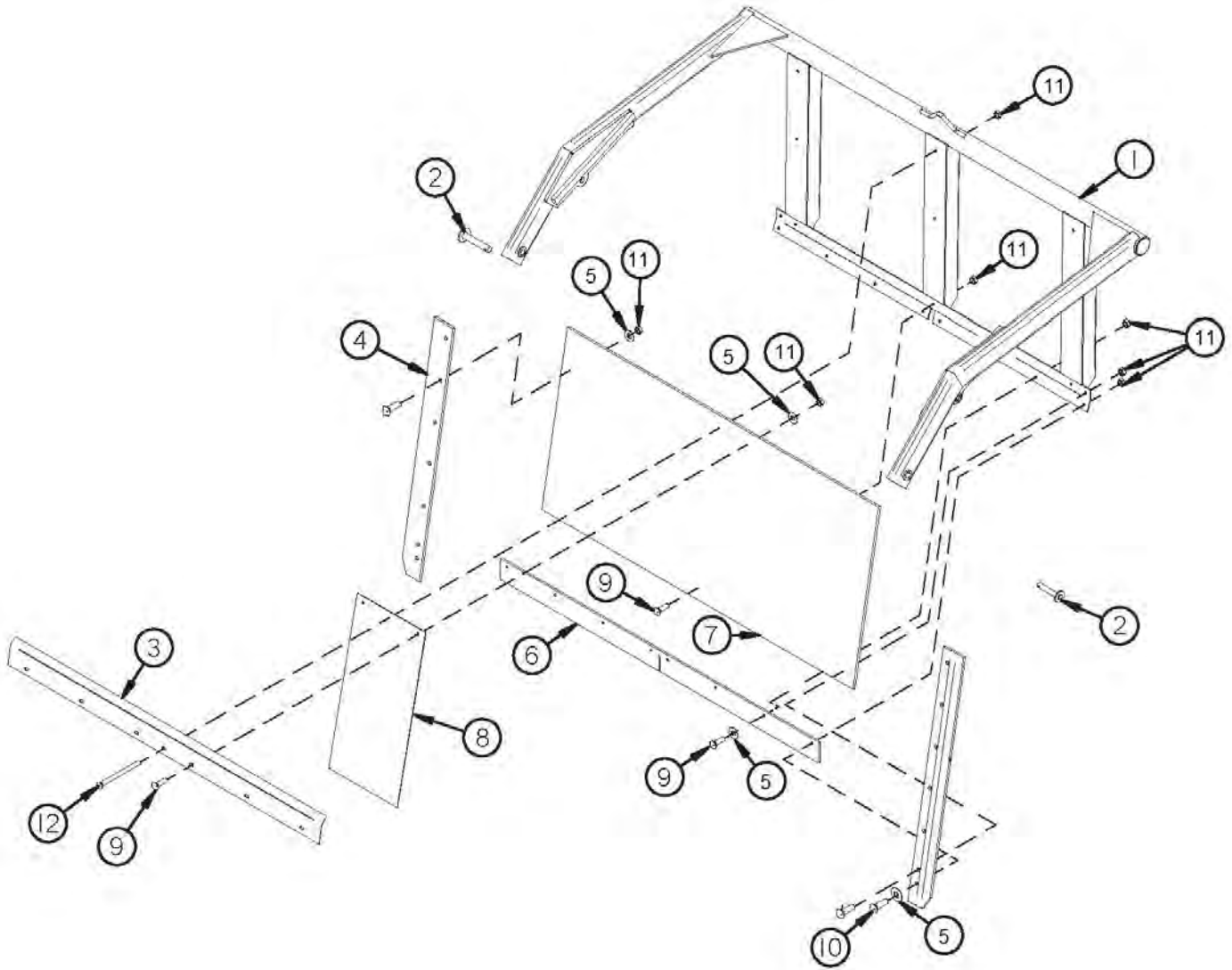
FIG 2





: 1 F9 (

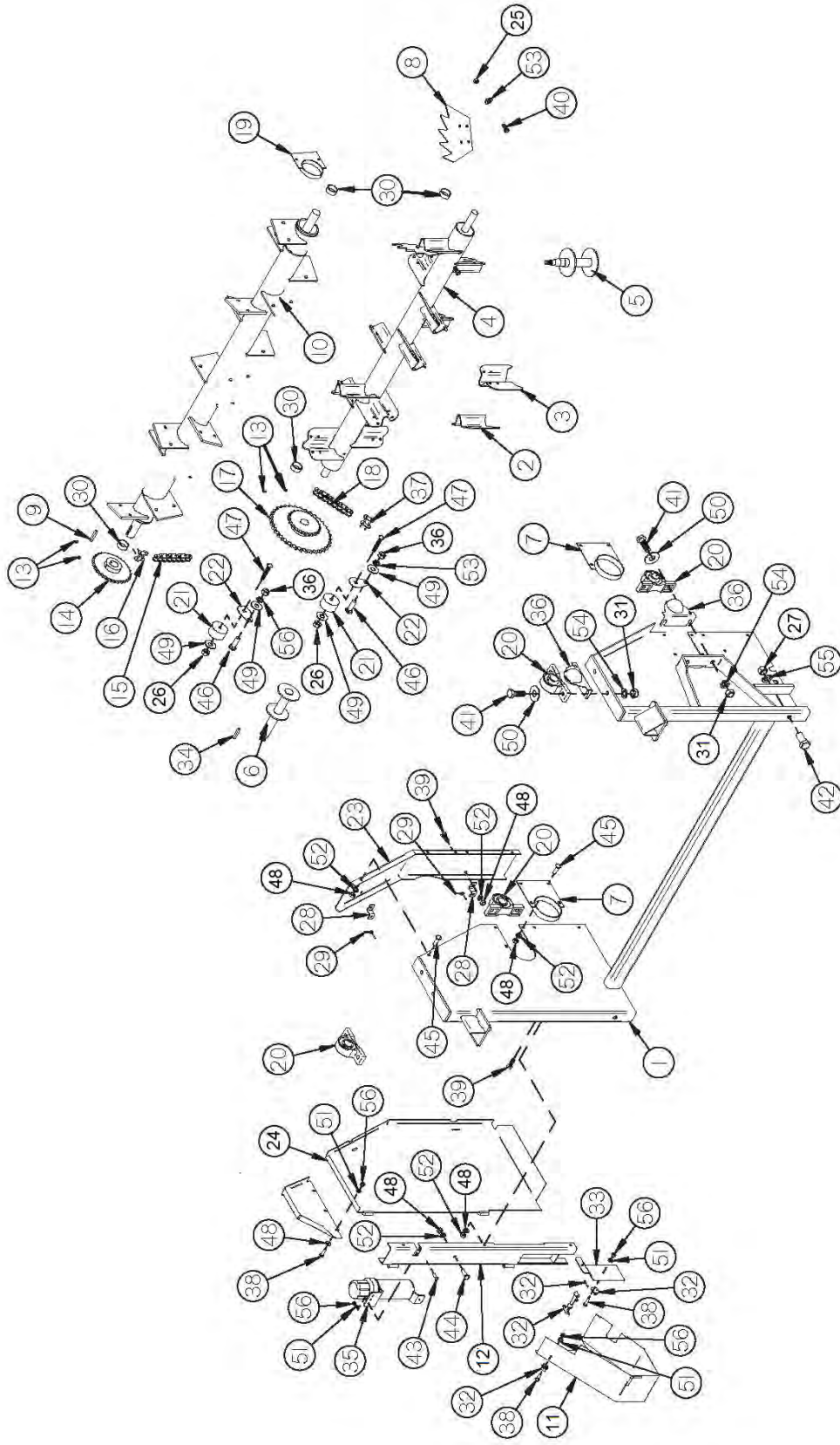
9B8; 5H9



## **FIGURE 4** **ENDGATE**

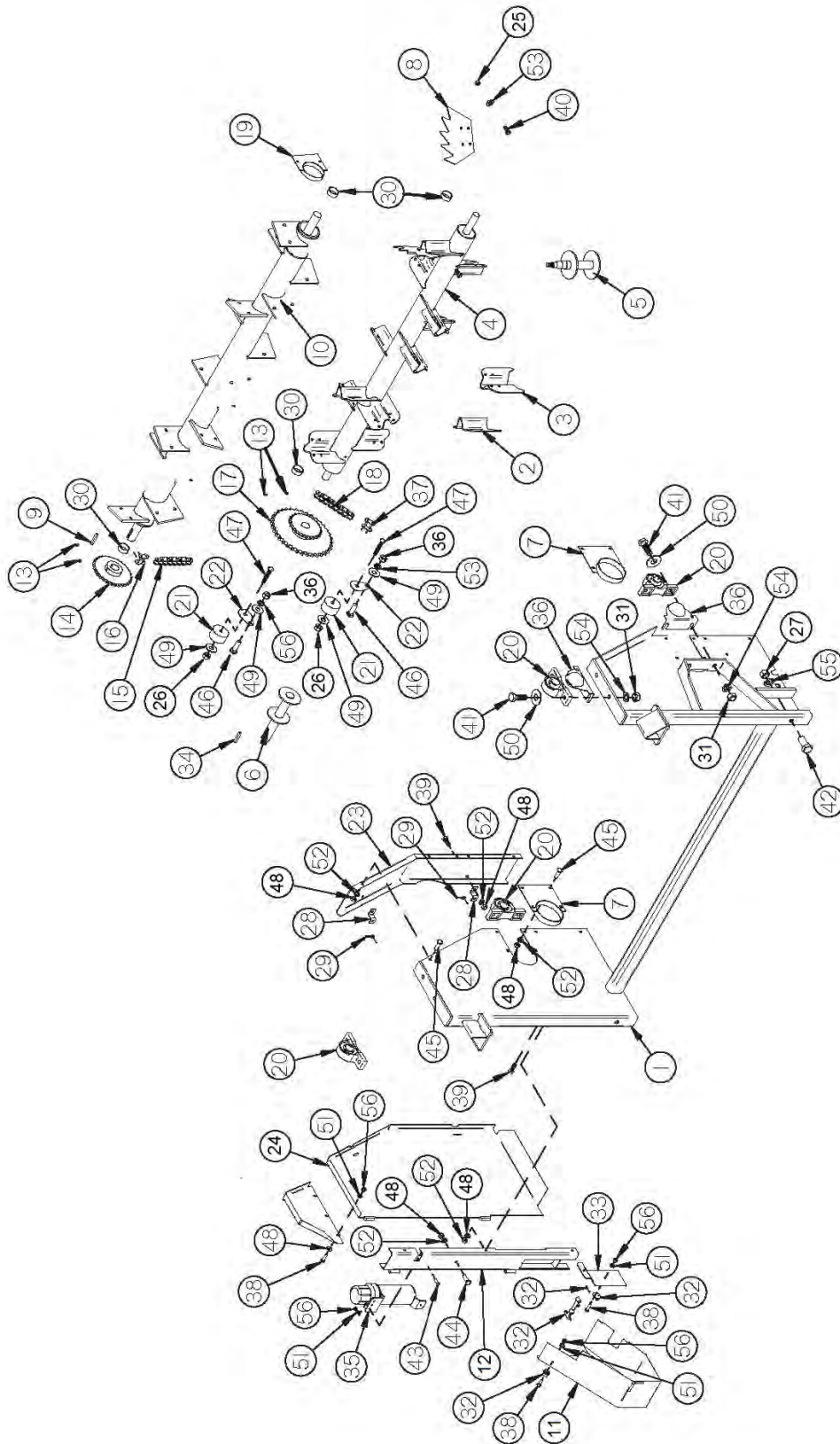
<b><u>ITEM</u></b>	<b><u>QTY</u></b>	<b><u>PART #</u></b>	<b><u>DESCRIPTION</u></b>
1	1	55N9	ENDGATE
2	2	55N10	HINGE PIN
3	1	55N11	ENDGATE POLY HOLDOWN
4	2	55N13	ENDGATE RUBBER LEFT
5	36	YWFL12005	WASHER, FLAT, 3/8" USS
6	1	55N14	ENDGATE RUBBER
7	1	55N15	ENDGATE POLY
8	5	55N88	ENDGATE CURTAIN
9	23	YBCR12010	CARR. BOLT, 3/8" X 1" GR.5
10	2	YBCR12015	CARR. BOLT, 3/8" X 1-1/2" GR.5
11	41	YNHX12005	HEX NUT, 3/8"-16
12	16	YBCR12105	CARR. BOLT, 3/8" X 4-1/2" GR.5

**:= | F9 )**  
**695H9FG**





**:= | F9 )**  
**695H9FG**





## **FIGURE 5**

### **BEATERS**

<b><u>ITEM</u></b>	<b><u>QTY</u></b>	<b><u>PART#</u></b>	<b><u>DESCRIPTION</u></b>
25	96	YNL16005	HEX NUT, TOP LOCK, 1/2"-13
26	2	YNRL16005	HEX NUT, REVERSIBLE-SIDE LOCK, 1/2"-13
27	2	YNHX24005	HEX NUT, 3/4"-10 PLATED
28	2	F69	SHIELD BRACKET
29	2	YPLY08011	LYNCH PIN, 1/4 X 1-9/16 #63-02
30	4	42N103	BEATER SPACER
31	8	YNHX18005	HEX NUT, 9/16"-12
32	1	X233	COMPLETE LATCH
33	1	42N105	BACK STAKE FILLER
34	1	42N141	KEY 3/8" x 2-1/4" W/ ROUND ENDS
35	1	S522	MANUAL HOLDER
36	2	YNHX16005	HEX NUT, 1/2"
37	1	F157	#80 CONNECTOR LINK
38	5	YBHH08010	BOLT, 1/4" X 1" GR. 5
39	5	YBHH12010	BOLT, 3/8" X 1" GR. 5
40	80	YBHH16045	BOLT, 1/2" X 1-1/4" GR. 5
41	8	YBHH18015	BOLT, HEX HEAD, 9/16"-12 X 2" GR. 5,
42	2	YBHH24010	ZINC BOLT, 3/4" X 1-1/2" GR. 5
43	3	YSTM08004	SLOTTED TRUSS HEAD ZINC MACHINE SCREW
44	1	YBCR12065	CARR. BOLT, 3/8" X 3/4" GR. 5
45	11	YBCR12010	CARR. BOLT, 3/8" X 1" GR. 5
46	2	YBCR16015	CARR. BOLT, 1/2" X 1-1/4" GR. 5
47	2	YBCR16035	CARR. BOLT, 1/2" X 2-3/4" GR. 5
48	17	YNHX12005	HEX NUT, 3/8"-16
49	4	YWFL16005	WASHER, FLAT, 1/2" USS
50	8	YWFL18005	WASHER, FLAT, 9/16" USS
51	8	YWLO08005	WASHER, LOCK, 1/4"
52	17	YWLO12005	WASHER, LOCK, 3/8"
53	82	YWLO16005	WASHER, LOCK, 1/2"
54	8	YWLO18005	WASHER, LOCK, 9/16"
55	2	YWLO24005	WASHER, LOCK, 3/4"
56	8	YNHX08005	HEX NUT, 1/4"-20



IF9\*

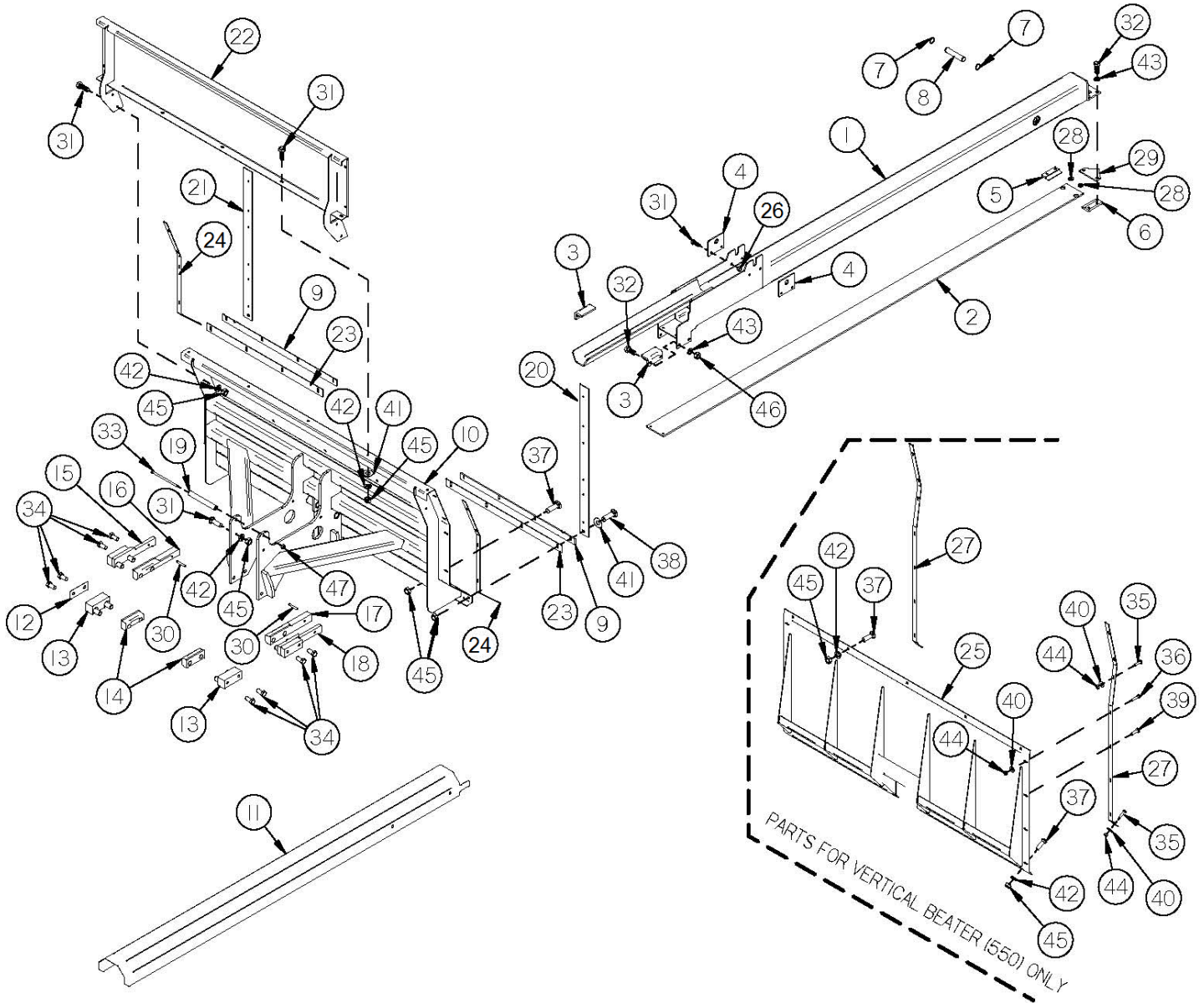
DI G<9F

<u>H9A</u>	<u>EHM</u>	<u>D5FH</u>	<u>DESCRIPTION</u>
F	F	ÍÍΠI	MOVEABLE FLOOR TUBE
2	1	55N85	PUSHER TUBING SLIDE
3	2	55N46	PUSHER TUBE FRONT GUIDE
4	2	55N47	CYLINDER RETAINER
5	1	55N48	END CAP CLAMP RIGHT
6	1	55N49	END CAP CLAMP LEFT
7	2	F73	SNAP RING
8	1	55N50	REAR CYLINDER PIN
9	2	55N81	WIPER
10	1	55N26	PUSHER
11	1	55N51	CYLINDER SHIELD
12	A/R	42N114	PUSHER SHIM
13	2	55N52	POLY BLOCK SPACER
14	2	55N53	PUSHER POLY SLIDE
15	1	55N54	POLY BLOCK SPACER RIGHT
16	1	55N55	PUSHER POLY SLIDE RIGHT
17	1	55N56	PUSHER POLY SLIDE LEFT
18	1	55N57	POLY BLOCK SPACER LEFT
19	1	55N59	PUSHER SPACER

BCH9. "A/R MEANS AS REQUIRED "

**IF9\***

**DI G<9F**

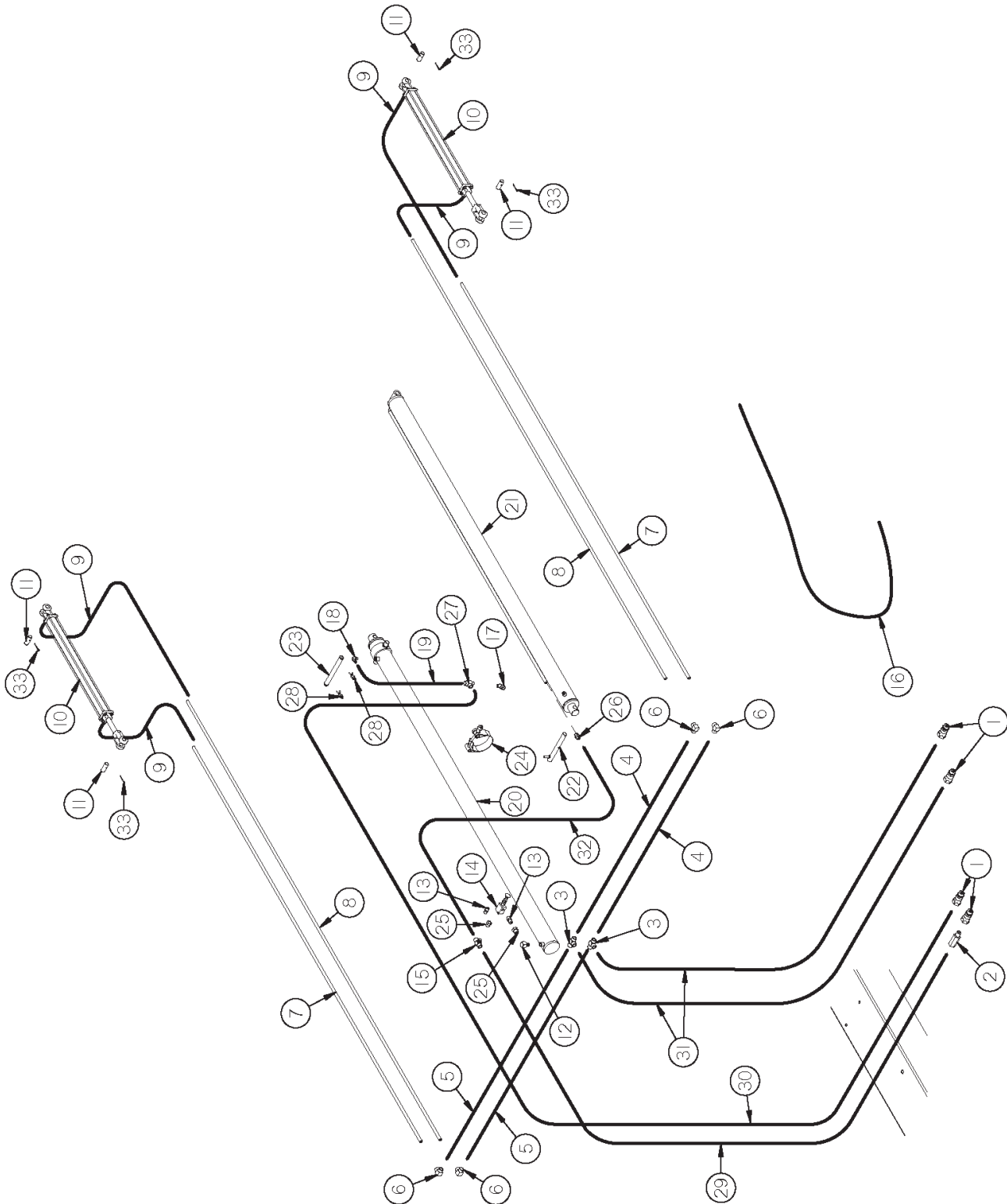


:= I F9 \*

DI G<9F

<u>H9A</u>	<u>E HM</u>	<u>PART #</u>	<u>89G7F-DHCB</u>
GE	F	55N27	ÚWÛPÓÜÁÛWÓÓÜÄŠÒØV
21	1	55N28	PUSHER RUBBER RIGHT
22	1	42N94	PUSHER EXTENSION
23	2	55N83	PUSHER BOTTOM RUBBER
24	2	55N26	PUSHER RUBBER STRAP
25	1	HGV113	FLAT PUSHER FACE
26	4	YNRL12005	HEX NUT, REVERSIBLE-SIDE LOCK,
27	4	HGV114	FLAT PUSHER SEAL STRAP
28	2	42N150	POLY SPACER
29	1	55N86	SCRAPER
30	2	YPEX12023	EXPANSION PIN, 3/8 X 2-1/2
31	17	YBHH12010	BOLT, 3/8 X 1 GR 5
32	8	YBHH16045	BOLT, 1/2-13 X 1-1/4 GR 5
33	1	YBHH16200	1/2-13 X 10 HEX BOLT GR 5
34	8	YBHH20015	BOLT, 5/8 X 1-1/4 GR 5
35	8	YBCR08005	CARR. BOLT, 1/4-20 X 1 GR. 5 (ZINC)
36	2	YBCR08010	CARR. BOLT, 1/4 X 1-1/2
37	19	YBCR12010	CARR. BOLT, 3/8 X 1 GR. 5
38	2	YBCR12015	CARR. BOLT, 3/8 X 1-1/2 GR 5
39	6	YSHW10010	THREAD CUTTING SCREW
40	10	YWFL08005	WASHER, FLAT, 1/4 USS
41	7	YWFL12005	WASHER, FLAT, 3/8 USS
42	26	YWLO12005	WASHER, LOCK, 3/8
43	8	YWLO16005	WASHER, LOCK, 1/2
44	10	YNHX08005	HEX NUT, 1/4
45	34	YNHX12005	HEX NUT, 3/8-16 GR 2
46	4	YNHX16005	HEX NUT, 1/2
47	1	YNNY16005	HEX NUT, NYLON LOCKNUT, 1/2-13

**FIGURE 7**  
**PUSHER & ENDGATE HYD. COMPONENTS**



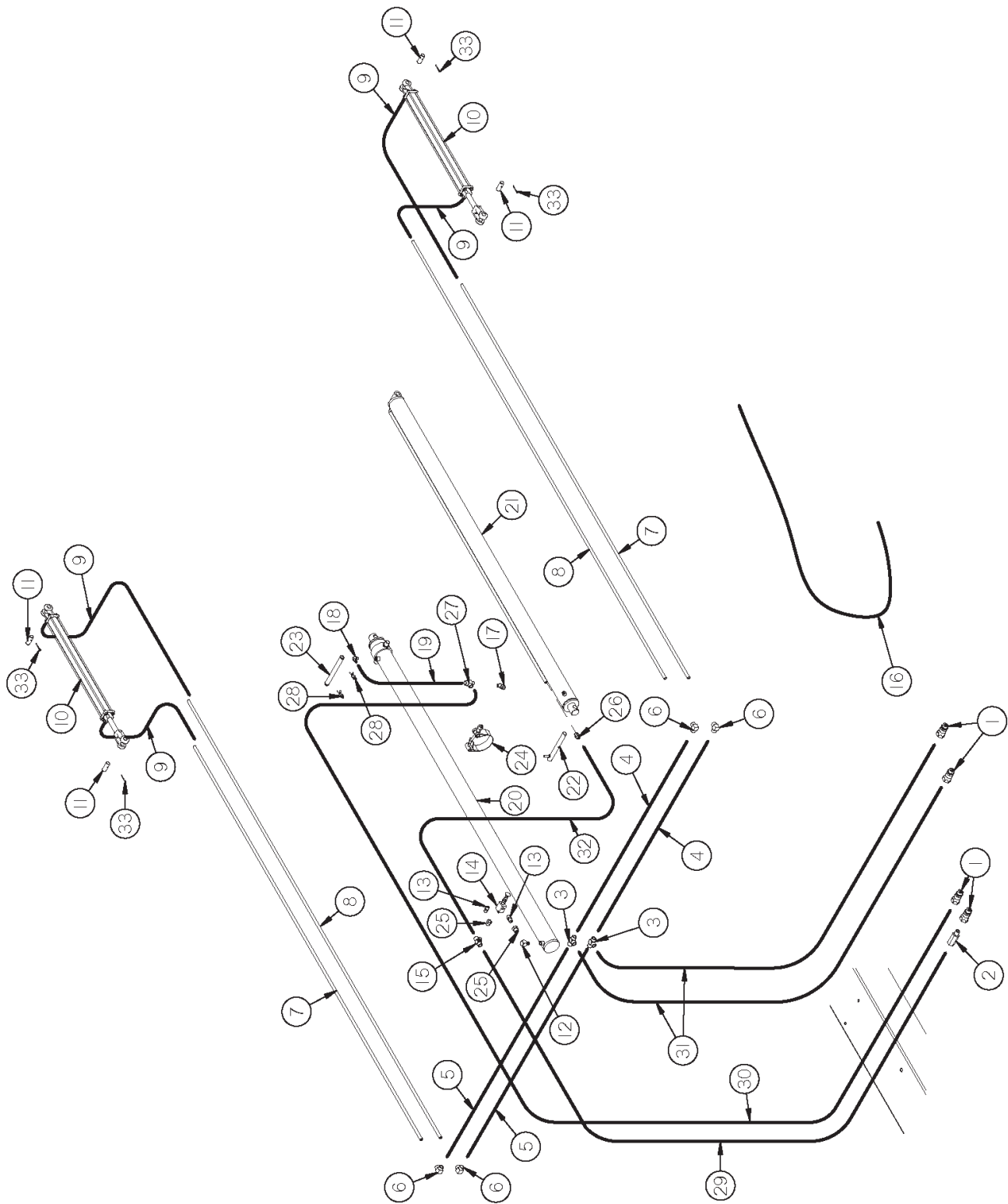


:= I F9 +

DI G<9F / '9B8; 5H9 <M8 "7 CA DCB9BHG

<u>#19 A</u>	<u>E HM</u>	<u>D5 FH</u>	<u>DESCRIPTION</u>
1	4	ÖY T Gēí	QUICK COUPLER MALE
2	1	57735	.078 RESTRICTOR CHECK VALVE 5605-6-6-6
3	2	BFR74	TEE
4	2	46N40	HOSE, HYD, 3/8" X 46"
5	2	BFR287	HOSE, HYD, 3/8" X 36"
6	4	HE59	90 DEGREE FEMALE ELBOW
7	2	55N23	ENDGATE HYD. LINE SHORT
8	2	55N24	ENDGATE HYD. LINE LONG
9	4	12V19	HYDRAULIC HOSE 3/8" X 24"
10	2	56002	2" X 20" HYDRAULIC CYLINDER
11	4	56N141	CYLINDER PIN
12	1	HE58	ELBOW, STREET, 90 DEGREE 5502-8-8
13	2	16SV351	3/8" NIPPLE #5404-6-6
14	1	16SV339	SEQUENCE ASSEMBLED VALVE AND BODY
15	1	DF8	TEE, 1/2"
16	1	42N64	HOSE SHIELD
17	1	55N65	1/2" 45 DEGREE UNION ADAPTER
18	1	HE58	ELBOW, STREET, 90 DEGREE 5502-8-8
19	1	16SV143	HOSE, 1/2" X 19"

**FIGURE 7**  
**PUSHER & ENDGATE HYD. COMPONENTS**



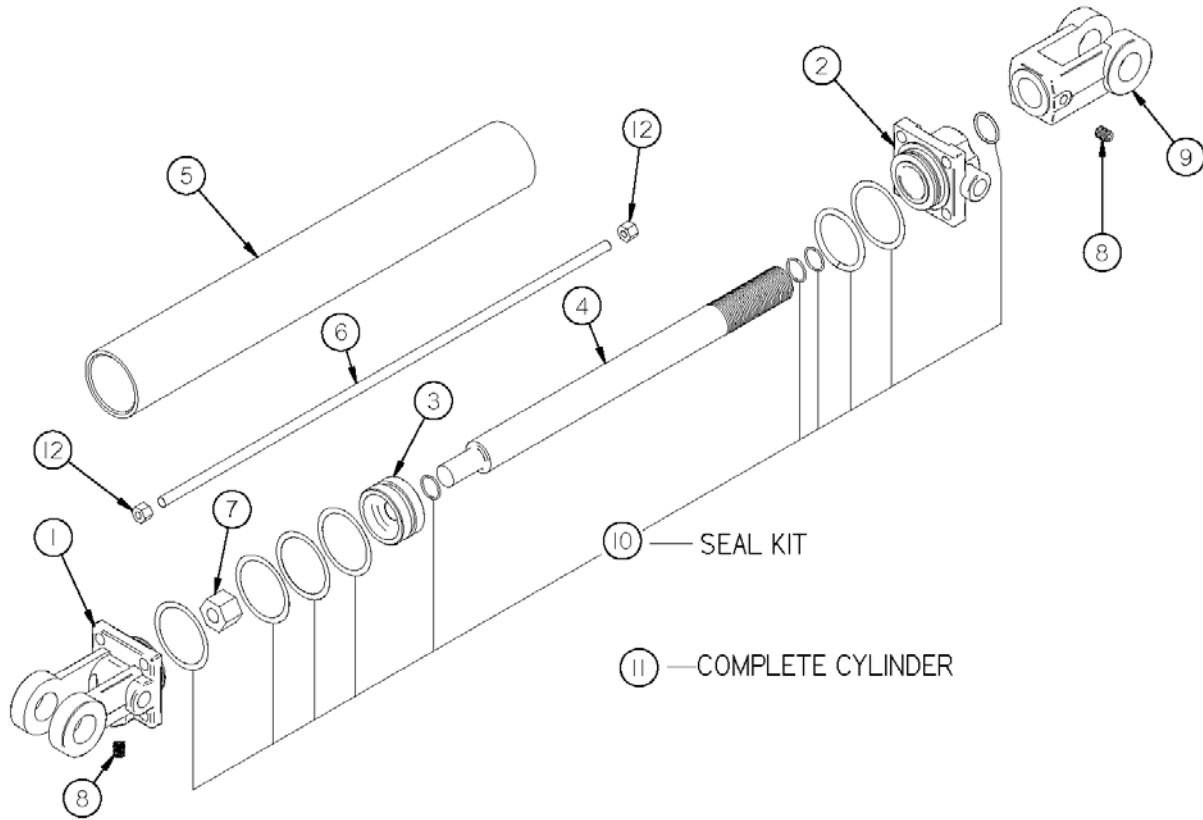
:= I F9 +

DI G<9F / '9B8; 5H9 <M8 "7 CA DCB9BHG

<u>H9A</u>	<u>EHM</u>	<u>D5FH</u>	<u>DESCRIPTION</u>
20	1	55N32	HYD. CYL. 4-1/2" X 90" X 2.5", GIMBAL F498CY09
21	1	55N33	HYD. CYL. 4-1/2" X 90" X 2.5, TRUNION F498CY08
22	1	55N34	CYLINDER PIN
23	1	55N35	PUSHER CYLINDER PIN
24	1	55N66	HOSE CLAMP
25	2	JB82	BUSHING, 1/2" TO 3/8" #5406-8-6
26	1	MA12	1/2" MALE ADAPTER UNION
27	1	WM139	SERVICE TEE, 1/2"
28	2	T144	CLIP PIN / CLEVIS PIN
29	1	HGV165	HYD HOSE ASSEMBLY 1/2" X 186"
30	1	HGV166	HYD HOSE ASSEMBLY 1/2" X 260"
31	2	HGV167	HYD HOSE ASSY. 3/8" X 157" 101HY-8-6 X 101HY-6-6
32	1	55N30	HOSE, HYD, 1/2" X 76"
33	4	YPCT07005	COTTER PIN, 7/32 X 2

1 F9

9B8; 5H9 7M@B89F



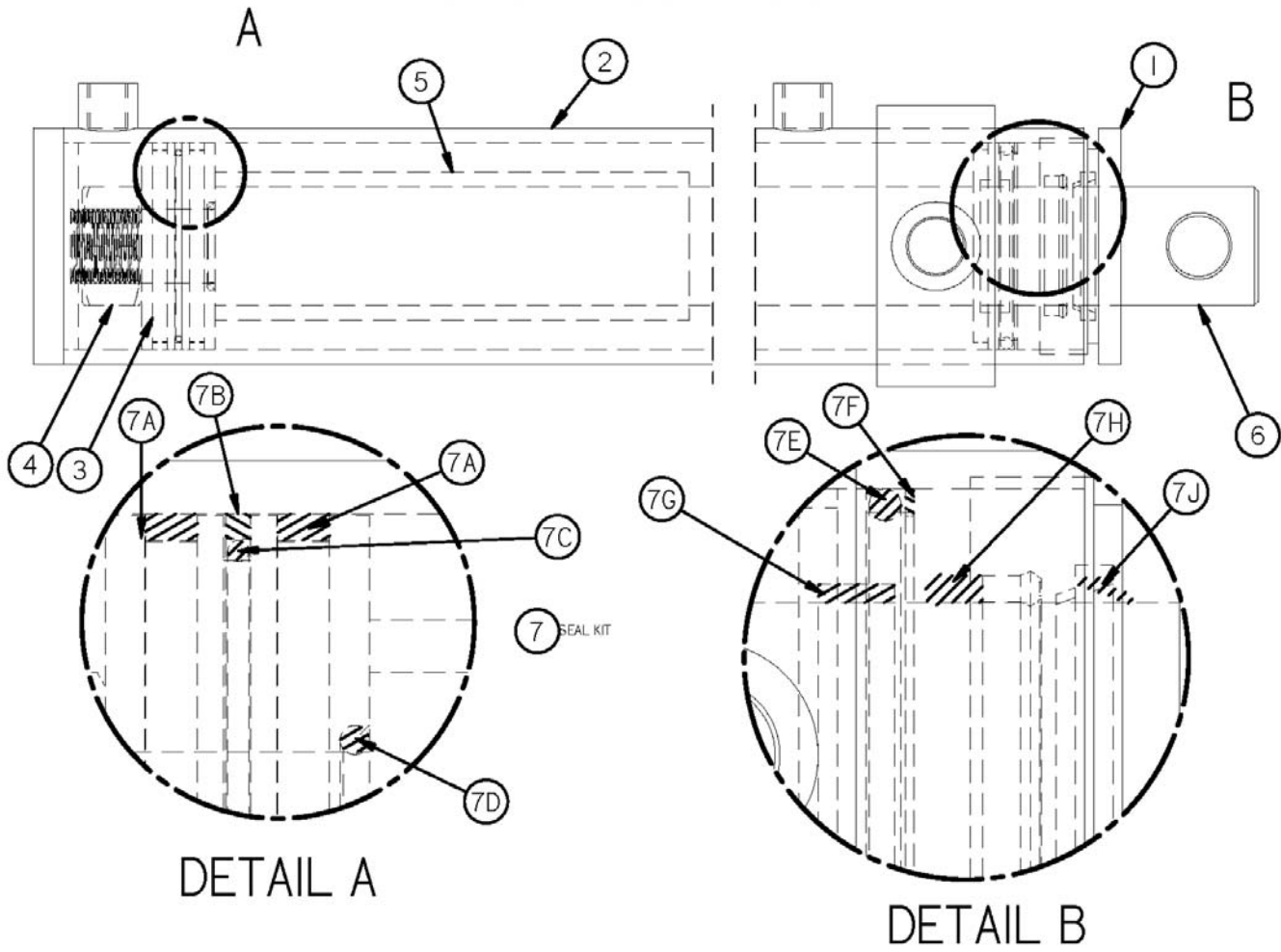
: = I F9 ,

9B8 ; 5H9 7M@B89F

<u>H9 A</u>	<u>E HM</u>	<u>PART #</u>	<u>8 9 G 7 F -DH-CB</u>
F	F	GPFIGE	ÖŠÒXÒÁÖÜ
G	F	ÍÎFÍ	ÛUÖÁÖÜ
H	F	ÍÎFÍ€	ÚÒVUP
I	F	ÍÎPIG	ÛUÖ
Í	F	ÍÎPIH	ÔÿŠÖÖÜÁWÓ
Î	I	ÍÎPII	VÖÁJUÖ
Ï	F	GPFÍ	ÚÒVUPÁW
Ì	G	GPFÍJ	ÚŠWÖ
J	F	23N150A	ÛUÖÁÖŠÒXÒ
F€	F	ÍÎFÍ	ÚÒÖŠÖ
FF	F	ÍÎ€€G	PÿÖÜÁVŠÖÁÿŠÖÖÜ
FG	Ì	ÿPÿFG€Í	PÖYÁWÖÁÄÍ

# FIGURE 9

## HYDRAULIC PUSHER CYLINDER



# FIGURE 9

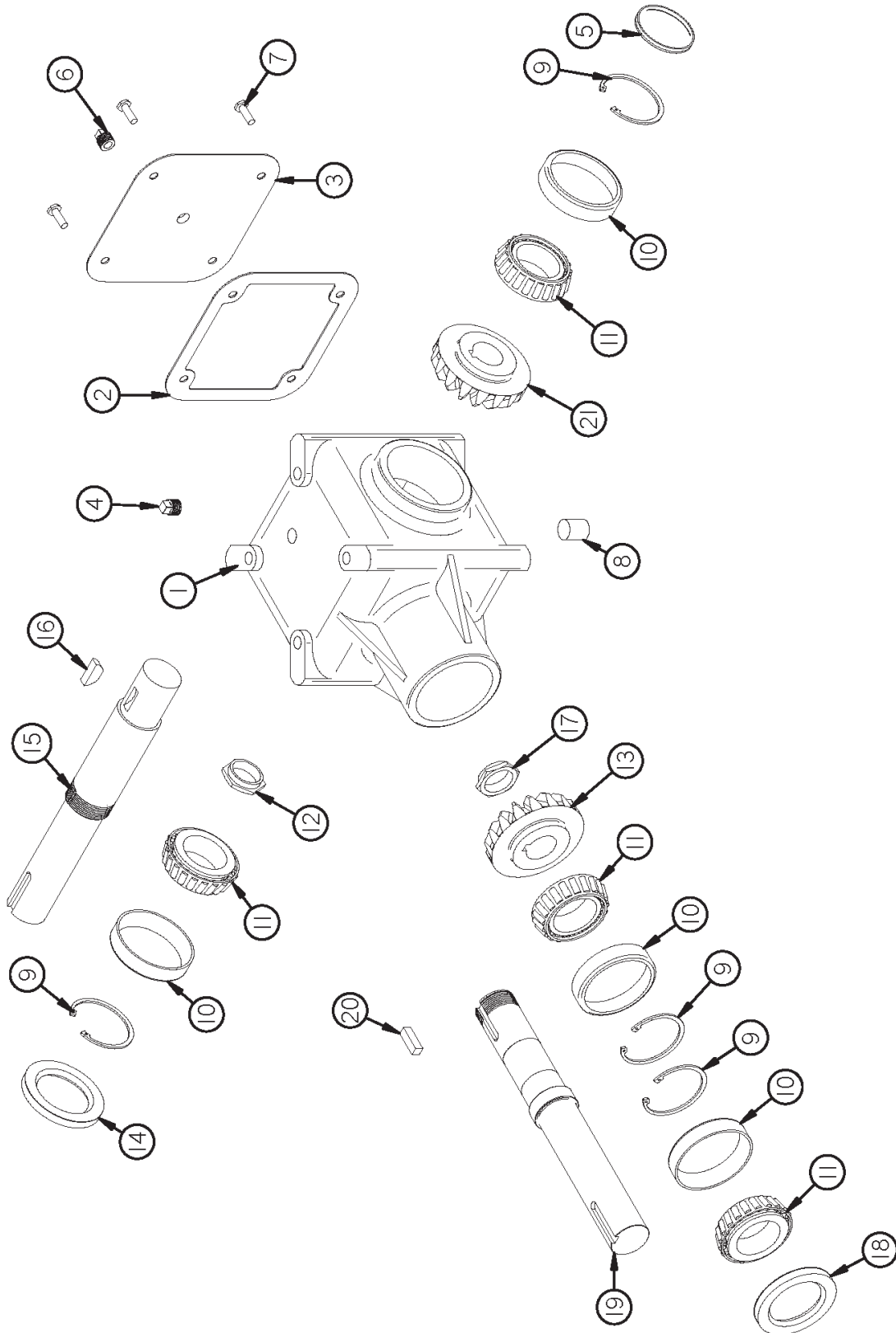
## HYDRAULIC PUSHER CYLINDER

<u>ITEM</u>	<u>QTY</u>	<u>PART #</u>	<u>DESCRIPTION</u>
1	1	55N36	INTERNAL HEAD
2	1	55N37	BARREL ASSM (TOP CYL)
*	1	55N38	BARREL ASSM (BOTTOM CYL)
3	1	55N39	PISTON
4	1	55N40	LOCKNUT
5	1	55N41	SPACER
6	1	55N42	ROD
7	1	55N43	SEAL KIT (INC ITEMS 7A THRU 7J)
7A	"	"	WEAR RING
7B	"	"	P
7C	"	"	O-RING
7D	"	"	O-RING
7E	"	"	O-RING
7F	"	"	BACK-UP RING
7G	"	"	WEAR RING
7H	"	"	LOADED U-CUP
7J	"	"	ROD WIPER
*	1	55N32	COMP. CYL. - TOP
*	1	55N33	COMP. CYL. - BOTTOM

**NOTE: \* MEANS NOT SHOWN**



**FIGURE 10**  
**BEATER GEARBOX**

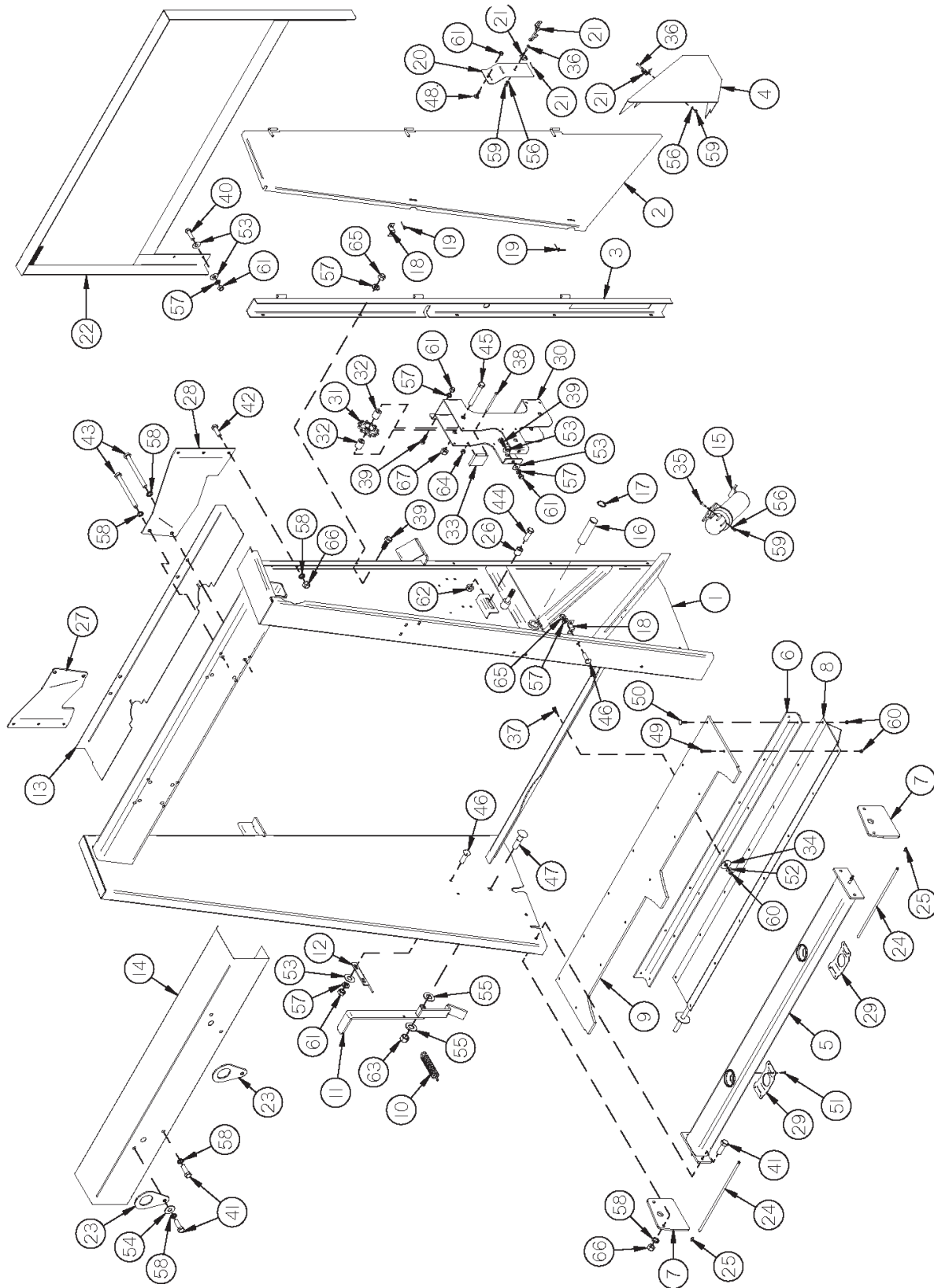


**FIGURE 10**  
**BEATER GEARBOX**

<b><u>ITEM</u></b>	<b><u>QTY</u></b>	<b><u>PART #</u></b>	<b><u>DESCRIPTION</u></b>
1	1	G125	HOUSING
2	1	G138	GASKET
3	1	G126	COVER
4	1	G144	PLUG 3/8" - VENT
5	1	G140	CAP
6	1	G65	PLUG 3/8" - NPT
7	4	YBHH10132	BOLT, 5/16" X 5/8"
8	1	G145	3/8" PLUG
9	4	G130	SNAP RING
10	4	G128	BEARING CUP #25520
11	4	G129	BEARING #25581
12	1	G132	STAKE NUT
13	1	G142	BEVEL GEAR 22 TEETH
14	1	G136	SEAL - OUTPUT
15	1	42N57	OUTPUT SHAFT
16	1	G61	"E" 1210 WOODRUFF KEY
17	1	G133	STAKE NUT
18	1	G137	SEAL - INPUT
19	1	42N58	INPUT SHAFT
20	1	G139	KEY 3/8" x 1-1/2" HARDENED
21	1	G127	BEVEL GEAR 33 TOOTH
*	1	42N26	COMPLETE GEARBOX

**NOTE: \* MEANS NOT SHOWN**

**FIGURE 11**  
**VERTICAL BEATERS FRAME ASSEMBLY**



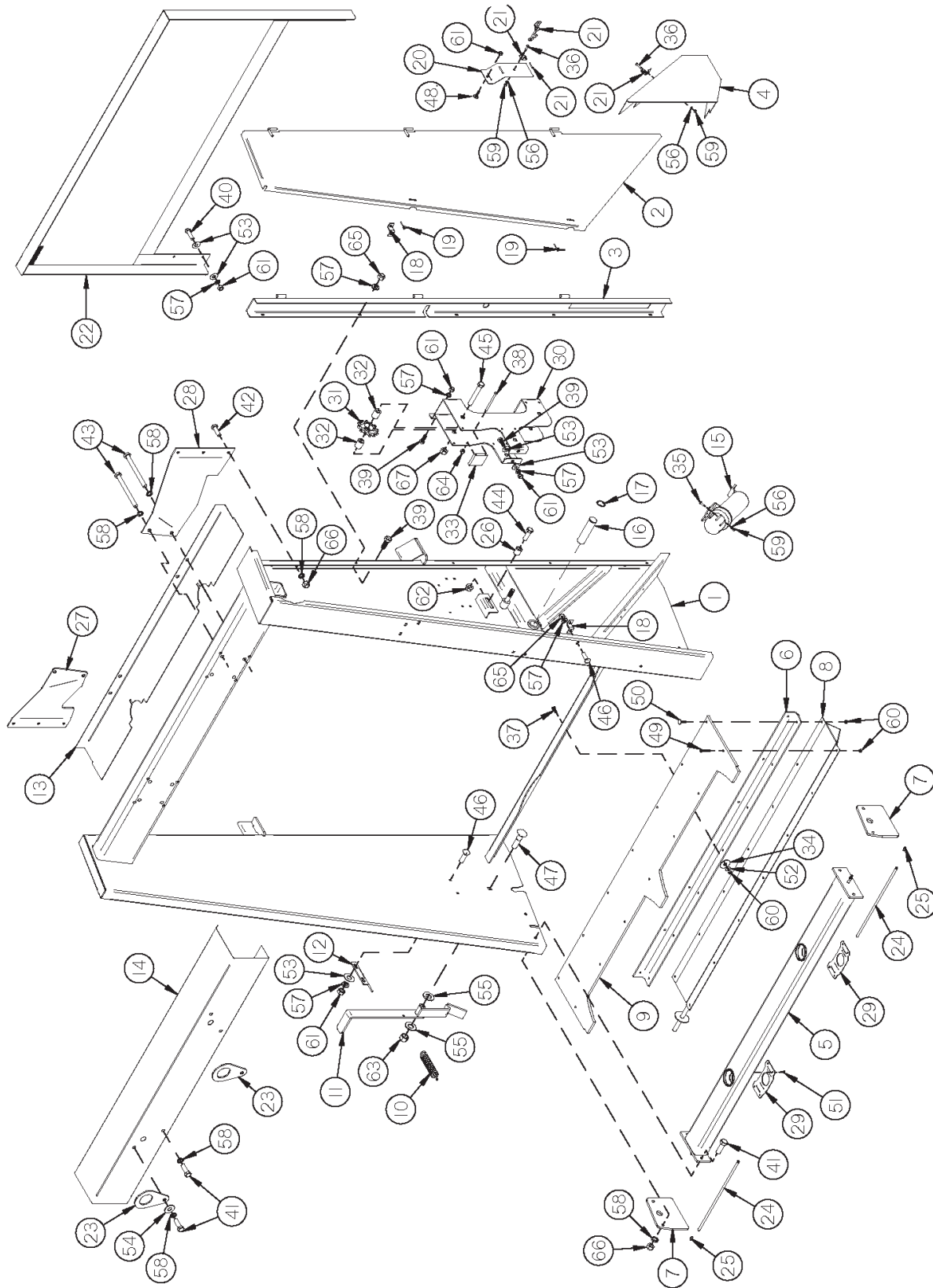
# FIGURE 11

## VERTICAL BEATERS FRAME ASSEMBLY

<u>ITEM</u>	<u>QTY</u>	<u>PART #</u>	<u>DESCRIPTION</u>
1	1	HGV55	FRAME
2	1	HGV4	REAR SHIELD
3	1	HGV6	SHIELD FILLER
4	1	HGV7	CROSS SHAFT SHIELD
5	1	HGV8	BEATER BOTTOM MOUNT
6	1	HGV9	PAN HINGE
7	2	HGV10	LEG
8	1	HGV11	PAN BOTTOM
9	1	HGV12	PAN
10	1	K103	SPRING
11	1	HGV13	PAN HANDLE
12	1	HGV14	PAN HANDLE STOP
13	1	HGV56	GEARBOX BOTTOM SHIELD SUPERIOR
14	1	HGV57	GEARBOX TOP SHIELD SUPERIOR
15	1	S522	MANUAL HOLDER
16	1	HGV18	SPROCKET IDLER SHAFT
17	1	12V62	SNAP RING
18	2	F69	SHIELD BRACKET
19	2	YPLY08011	LYNCH PIN, 1/4 X 1-9/16 #63-02
20	1	42N105	BACK STAKE FILLER
21	1	X233	COMPLETE LATCH
22	1	HGV49	STONE GUARD
23	2	HGV50	LIFTING EYE
24	2	HGV51	GREASE LINE
25	2	56694	GREASE FITTING
26	1	16SV44	TIGHTENER SPACER
27	1	HGV107	MAIN PANEL BRACE LEFT
28	1	HGV106	MAIN PANEL BRACE RIGHT
29	2	26VB56	HUB CAP RETAINER
30	1	HGV131	IDLER BRACKET
31	3	16SV328	SPROCKET 80-C-12 W/BEARING
32	2	HGV111	SPROCKCET SPACER
33	3	HGV109	CHAIN POLY BLOCK
34	7	YWCU12005	WASHER, CUSTOM, FLAT, .435" ID. X
35	3	YBHH08100	BOLT, 1/4" X 3/4" GR. 5

# FIGURE 11

## VERTICAL BEATERS FRAME ASSEMBLY



## FIGURE 11

### VERTICAL BEATERS FRAME ASSEMBLY

<u>ITEM</u>	<u>QTY</u>	<u>PART #</u>	<u>DESCRIPTION</u>
36	2	YBHH08010	BOLT, 1/4" X 1" GR. 5
37	7	YBHH10010	BOLT, 5/16" X 1" GR. 5
38	6	YBHH10125	BOLT, 5/16" X 4-1/2" GR. 5
39	9	YBHH12010	BOLT, 3/8" X 1" GR. 5
40	4	YBHH12035	BOLT, 3/8" X 1-1/4" GR. 5
41	8	YBHH16030	BOLT, 1/2" X 1-1/2" GR. 5
42	6	YBHH16047	BOLT, 1/2" X 1-1/4" GR. 5 (3/4" MAX THREAD)
43	8	YBHH16160	BOLT, 1/2" X 5-1/2" GR. 5
44	1	YBHH24035	BOLT, 3/4" X 2-1/4" GR. 5
45	3	YBHH24080	BOLT, 3/4" X 5" GR. 5
46	4	YBCR12010	CARR. BOLT, 3/8" X 1" GR. 5
47	1	YBCR24005	CARR. BOLT, 3/4" X 3-1/2" GR. 5
48	1	YBPL12010	#3 FLAT HEAD PLOW BOLT, 3/8"-16 X 1-1/4" GR. 5, ZINC
49	7	YSFS10005	FLAT HEAD SOCKET CAP SCREW, 5/16" X 1"
50	7	YBSB10005	STEP BOLT, 5/16"-18 X 1-1/2"
51	8	YSDR08005	SELF DRILLING SCREW, 1/4"-14 X 1"
52	7	YWFL10005	WASHER, FLAT, 5/16" USS
53	14	YWFL12005	WASHER, FLAT, 3/8" USS
54	2	YWFL16005	WASHER, FLAT, 1/2" USS
55	2	16SV49	WASHER
56	5	YWLO08005	WASHER, 1/4"
57	17	YWLO12005	WASHER, LOCK, 3/8"
58	22	YWLO16005	WASHER, LOCK, 1/2"
59	5	YNHX08005	HEX NUT, 1/4"-20
60	21	YNHX10005	HEX NUT, 5/16"
61	11	YNHX12005	HEX NUT, 3/8"-16
62	1	YNFG24005	HEX NUT, FLANGED-LOCK, 3/4"-10
63	1	YNRL24005	HEX NUT, REVERSIBLE-SIDE LOCK, 3/4"-10
64	6	YNTL10005	HEX NUT, TOP LOCK, 5/16"-18
65	7	YNTL12005	HEX NUT, TOP LOCK, 3/8"-16
66	10	YNTL16005	HEX NUT, TOP LOCK, 1/2"-13
67	3	YNTL24005	HEX NUT, TOP LOCK, 3/4"-10

# FIGURE 12

## VERTICAL BEATERS DRIVE TRAIN





## FIGURE 12

### VERTICAL BEATERS DRIVE TRAIN

<u>ITEM</u>	<u>QTY</u>	<u>PART #</u>	<u>DESCRIPTION</u>
1	1	HGV119	BEATER LEFT HAND
2	1	HGV121	BEATER RIGHT HAND
3	28	HGV122	BEATER BLADE LH LARGE HOLES
4	28	HGV123	BEATER BLADE RH LARGE HOLES
5	2	HGV27	SEAL 471958
6	2	B5	BEARING
7	2	B5A	RACE, OUTER
8	2	3G18	BEARING, ROLL, CUP, 2.54, #15245
9	2	3G7	BRG, 2.13 X 1.00 X 0.81, TAPER
10	2	17G144	HUB CAP
11	2	56N174	3/8" X 2" W/ ROUND ENDS BIN STOCK
12	1	HGV58	GEARBOX R600-9AAB-A0229
13	2	26VB37	BEATER HEX PLUG
14	6	42N25	GEARBOX COUPLER SPROCKET
15	3	HGV124	50-2 X 20 PITCHS DOUBLE ROLLER
*	3	D118	#50 DBL ROLLER CHAIN CONNECTOR
16	1	HGV59	GEARBOX CROSS SHAFT SUPERIOR
17	1	HGV60	GEAR BOX MODELO 611ACF005187
18	1	HGV61	GEARBOX DRIVE SHAFT SUPERIOR
19	1	HGV41	BEARING UCF-209-28 4 BOLT
20	1	HGV25	80B20 SPROCKET HG3-MS-3
21	1	HGV125	80H CHAIN X 137 PITCH CONN LINK /OFF SET
*	1	F157	CONNECTOR LINK WITH CLIP
A/R	A/R	HGV163	# 80 HEAVY HALFLINK (V.B.)
22	2	12V52	RADIAL BEARING ONLY
23	2	12V77	TIGHTENER SPROCKET
24	1	HGV36	BEATER TIGHTENER
25	2	42N164	BEARING PEER FHSR208-23 US
*	2	16SV375	WASHER
26	1	HGV37	SPROCKET (80A36 & 80A20)
27	1	HGV127	80H CHAIN X 117 PITCHS HEAVY CHAIN

**NOTE: \* MEANS NOT SHOWN**

# FIGURE 12

## VERTICAL BEATERS DRIVE TRAIN



## FIGURE 12

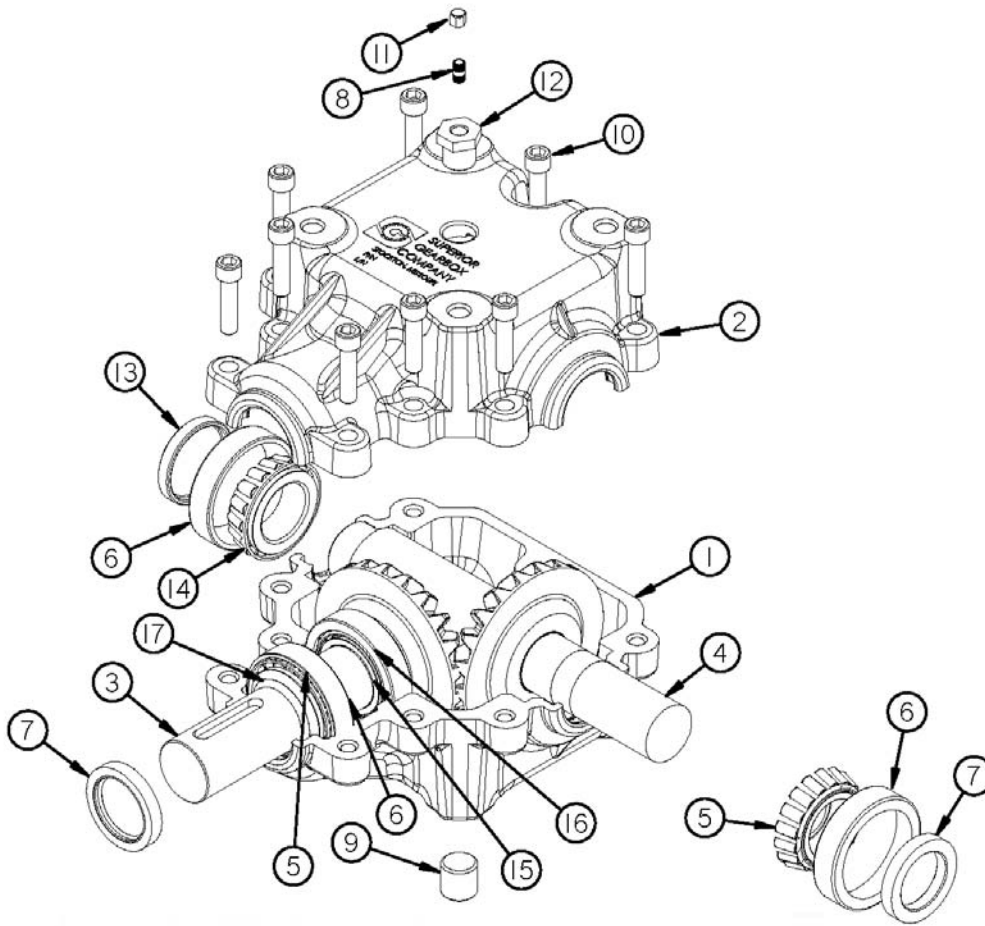
### VERTICAL BEATERS DRIVE TRAIN

<u>ITEM</u>	<u>QTY</u>	<u>PART #</u>	<u>DESCRIPTION</u>
*	1	F157	CONNECTOR LINK #80H
28	1	10R14	SPRING
29	1	HGV30	SPACER
30	1	HGV43	PRIMARY TIGHTENER SPACER
31	1	HGV42	TIGHTENER
32	2	56N160	SPRING HOLDER
33	1	ST36	SPRING
34	8	26VB57	FAN BLADE
35	2	HGV129	BEATER RUBBER SEAL
36	2	HGV130	BEATER SEAL CAP
37	2	HGV102	BEATER STUB SHAFT
38	7	PB136	KEY 3/8" X 2" SQUARE W/ ROUND ENDS
39	2	YPCT05020	COTTER PIN, 5/32" X 1-1/2"
40	16	YSKP12025	SET SCREW, SOCKET, KNURLED CUP PT, 3/8"- 16 X 3/8"
41	12	YBHH08100	BOLT, 1/4" X 3/4" GR. 5
42	3	YBHH18010	BOLT, HEX HEAD, 9/16" X 1-3/4" GR. 5,
43	1	YBHH18115	BOLT, HEX HEAD, 9/16"-12 X 2-1/2" GR. 5, ZINC
44	112	YBHH20020	BOLT, 5/8" X 1-3/4" GR. 5
45	2	YBHH24050	BOLT, 3/4" X 3" GR. 5
46	16	YBCR16010	CARR. BOLT, 1/2" X 1-1/2" GR. 5
47	2	YBTE10030	TURNED EYE BOLT, 5/16" X 3"
48	2	YWFL12005	WASHER, FLAT, 3/8" USS
49	1	YWFL24005	WASHER, FLAT, 3/4" USS
50	2	YWFL24010	WASHER, FLAT, SAE 3/4"
51	12	YWLO08005	WASHER, LOCK, 1/4"
52	2	YWLO12005	WASHER, LOCK, 3/8"
53	16	YWLO16005	WASHER, LOCK, 1/2"
54	5	YWLO18005	WASHER, LOCK, 9/16"
55	112	YWLO20005	WASHER, LOCK, 5/8"
56	2	YNHX12005	HEX NUT, 3/8"-16
57	5	YNHX18005	HEX NUT, 9/16"-12
58	2	YNRL24005	HEX NUT, REVERSIBLE-SIDE LOCK, 3/4"-10
59	2	YNTL12005	HEX NUT, TOP LOCK, 3/8"-16
60	16	YNTL16005	HEX NUT, TOP LOCK, 1/2"-13
61	112	YNTL20005	HEX NUT, TOP LOCK, 5/8"-11
62	1	YNTL24005	HEX NUT, TOP LOCK, 3/4"-10
63	2	YNSL24010	HEX NUT, SLOTTED, 3/4"-16

**NOTE: \* MEANS NOT SHOWN**

# FIGURE 13

## SUPERIOR GEARBOX LEFT

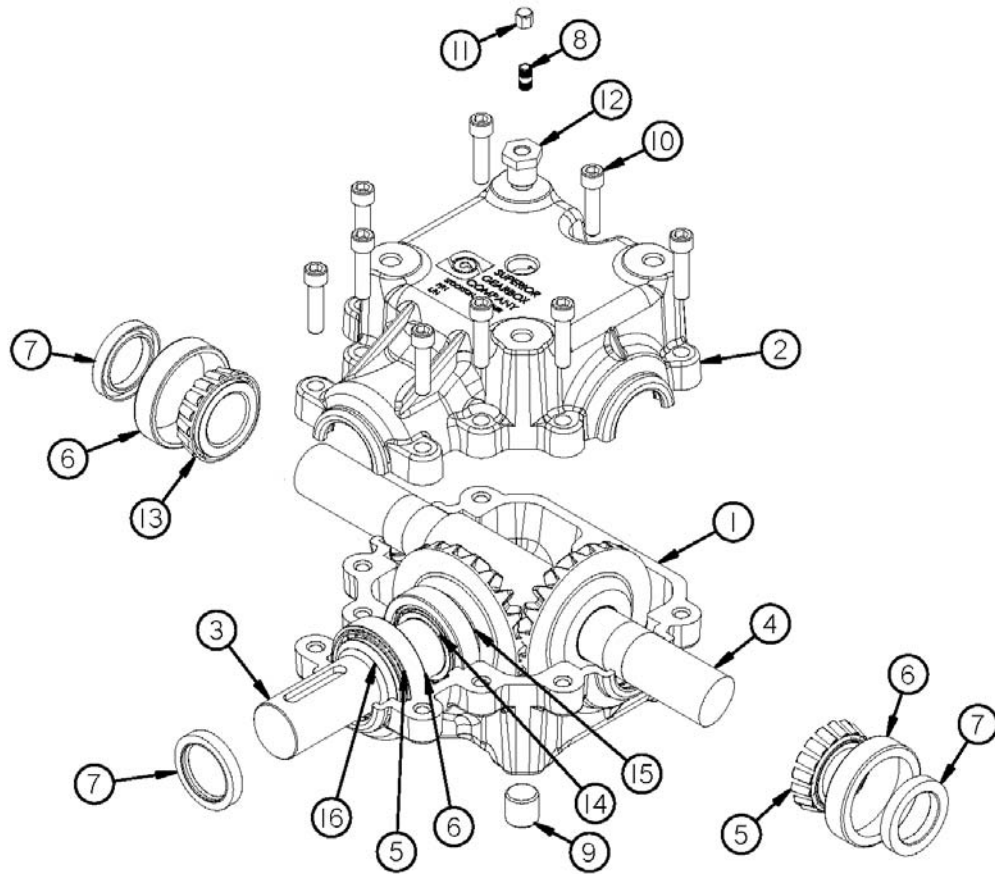


<u>ITEM</u>	<u>QTY</u>	<u>PART #</u>	<u>DESCRIPTION</u>
1	1	HGV88	BOTTOM HOUSING
2	1	HGV89	TOP HOUSING
3	1	HGV90	OUTPUT SHAFT
4	1	HGV105	INPUT SHAFT
5	2	HGV91	BEARING CONE (625581)
6	3	HGV92	BEARING CUP (625520)
7	2	HGV93	SEAL (617285)
8	1	23N288	3/8 NIPPLE
9	1	HGV95	PLUG (1/2-14 NPT)
10	9	YSHS12012	SOCKET HEAD CAP SCREW, 3/8" -16 X 2-1/4"
11	1	17G58	VENT
12	1	JB82	BUSHING (1/2 NPT To 3/8NPT)
13	1	HGV99	CAP
14	1	HGV94	BEARING CONE (625580)
15	1	HGV97	BEARING CONE (603782)
16	1	HGV112	BEARING CUP (603720)
17	1	HGV98	RETAINING PING (603493)
*	1	HGV58	COMPLETE GEARBOX LEFT

**NOTE: \* MEANS NOT SHOWN**

# FIGURE 14

## SUPERIOR GEARBOX RIGHT

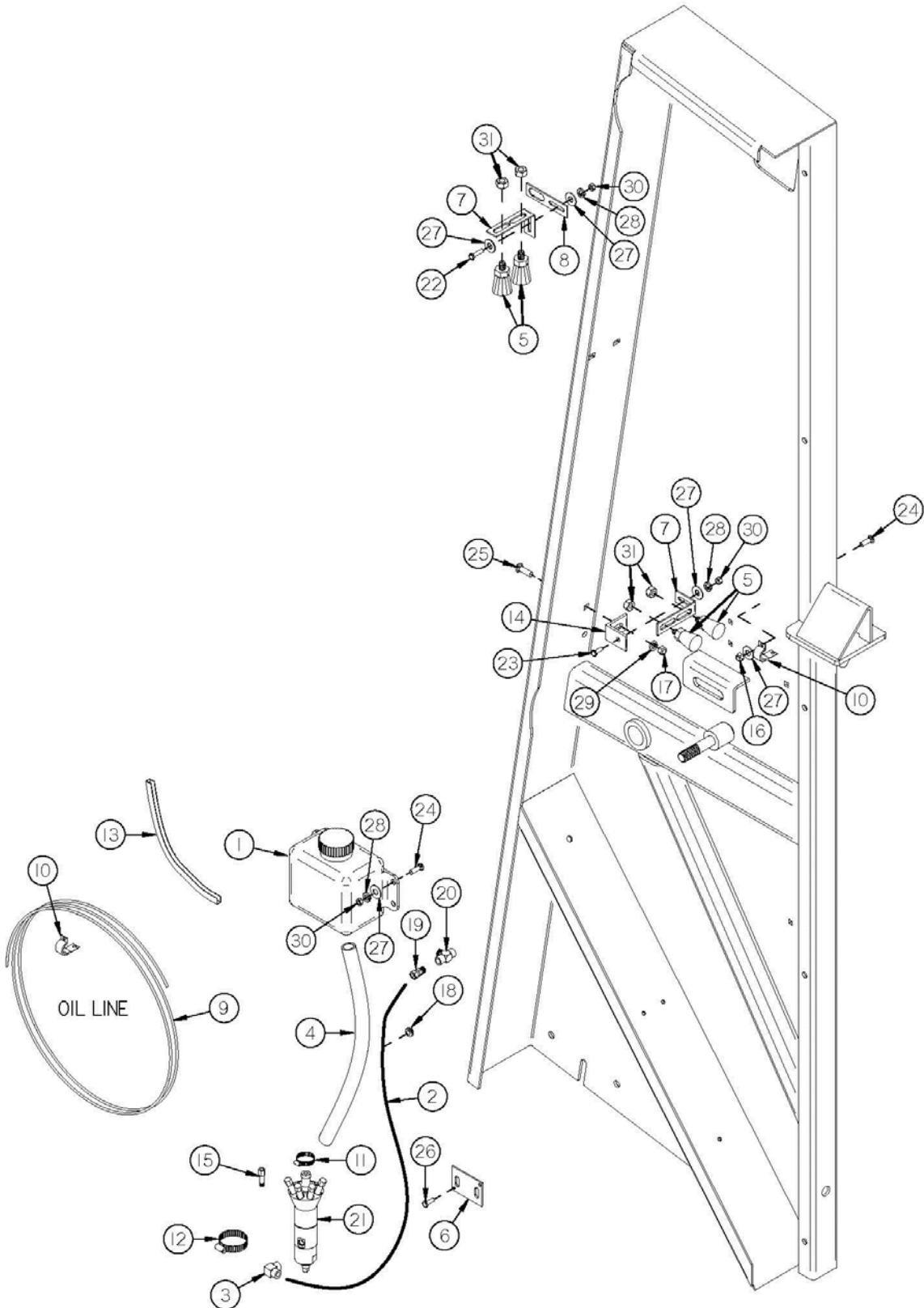


<u>ITEM</u>	<u>QTY</u>	<u>PART #</u>	<u>DESCRIPTION</u>
1	1	HGV88	BOTTOM HOUSING
2	1	HGV89	TOP HOUSING
3	1	HGV90	OUTPUT SHAFT
4	1	HGV101	INPUT SHAFT
5	2	HGV91	BEARING CONE (625581
6	3	HGV92	BEARING CUP (625520)
7	3	HGV93	SEAL (617285)
8	1	23N288	3/8" NIPPLE
9	1	HGV95	Plug 1/2-14 NPT)
10	9	YSHS12012	SOCKET HEAD CAP SCREW, 3/8" -16 X 2-1/4"
11	1	17G58	VENT
12	1	JB82	BUSHING (1/2 NPT To 3/8 NPT)
13	1	HGV94	BEARING CONE (625580)
14	1	HGV97	BEARING CONE (603782)
15	1	HGV112	BEARING CUP (603720)
16	1	HGV98	RETAINING RING (603493)
*	1	HGV60	COMPLETE GEARBOX RIGHT

**NOTE: \* MEANS NOT SHOWN**

# FIGURE 15

## CHAIN OILER





# FIGURE 15

## CHAIN OILER

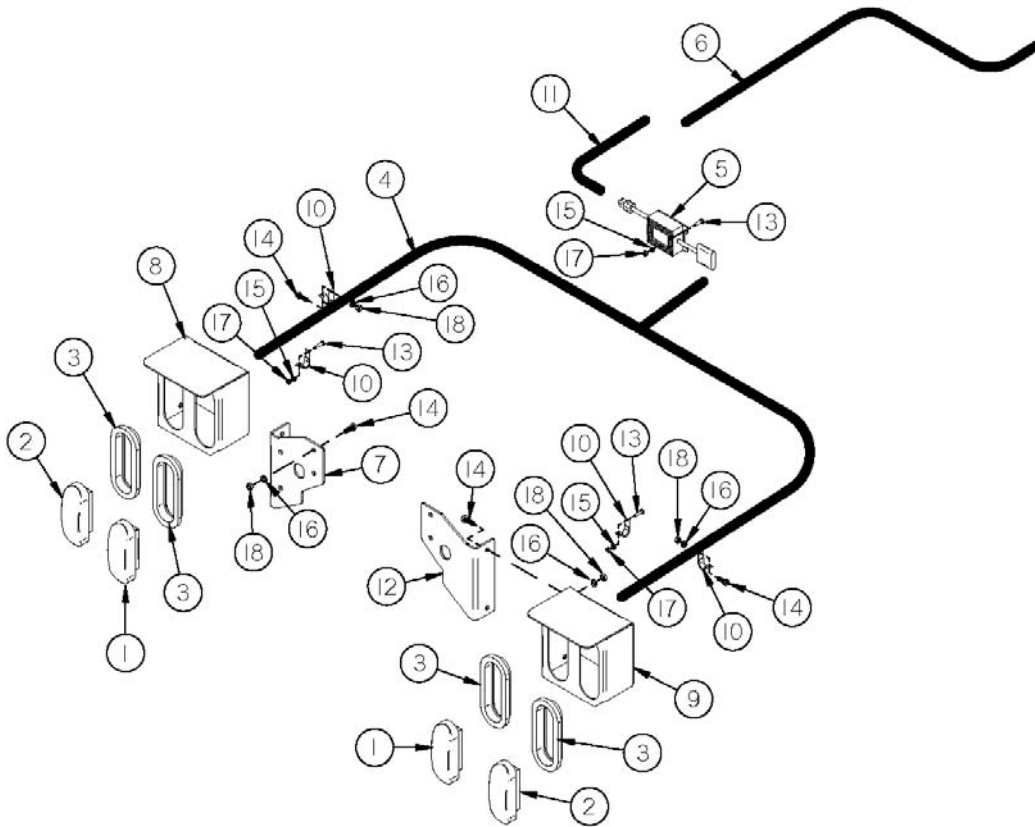
<u>ITEM</u>	<u>QTY</u>	<u>PART #</u>	<u>DESCRIPTION</u>
1	1	HGV63	RESERVOIR
2	1	HGV64	HYDRAULIC HOSE 1/4" X 80"
3	1	HGV65	O-RING/JIC ELBOW
4	4	HGV66	FILLER HOSE
5	4	HGV67	BRUSH
6	1	HGV135	OILER MOUNT
7	2	HGV69	BRUSH BRACKET
8	1	HGV70	BRACKET MOUNT
9	1	HGV71	OILER TUBE 5/32 OD
10	6	HGV72	SMALL TUBE HOLDER
11	2	HGV75	1" HOSE CLAMP
12	1	HGV74	2" HOSE CLAMP
13	1	HGV77	EDGING 12"
14	1	HGV170	ANGLE
15	4	HGV84	170-4515 MANIFOLD ASSEMBLY
16	33	YNTL08005	HEX NUT, TOP LOCK, 1/4"-20
17	1	YNTL12005	HEX NUT, TOP LOCK, 3/8"-16
*	1	HGV62	OILER KIT (COMPLETE)
18	1	8651	RUBBER GROMMET
19	1	DWM233	3/8" UNION ADAPTER (1404-6-6)
20	1	WM146	MALE - FEMALE PIPE TEE (5604-6-6)
21	1	HGV82	PUMP (COMPLETE)
*	1	HGV83	REPAIR KIT
22	11	YBHH08010	BOLT, 1/4" X 1" GR. 5
23	1	YBHH08100	BOLT, 1/4" X 3/4" GR. 5
24	7	YBCR08040	CARR. BOLT, 1/4" X 3/4" GR. 5
25	1	YBCR12010	CARR. BOLT, 3/8" X 1" GR. 5
26	2	YSDR08015	1/4"-20 X 1/2" HEX WASHER HEAD SLOT THRD ROLL SCREW, ZINC
27	11	YWFL08005	WASHER, FLAT, 1/4" USS
28	6	YWLO08005	WASHER, LOCK, 1/4"
29	1	YWLO12005	WASHER, LOCK, 3/8"
30	6	YNHX08005	HEX NUT, 1/4"-20
31	1	YNHX16005	HEX NUT, 1/2"

**NOTE: \* MEANS NOT SHOWN**



# FIGURE 1

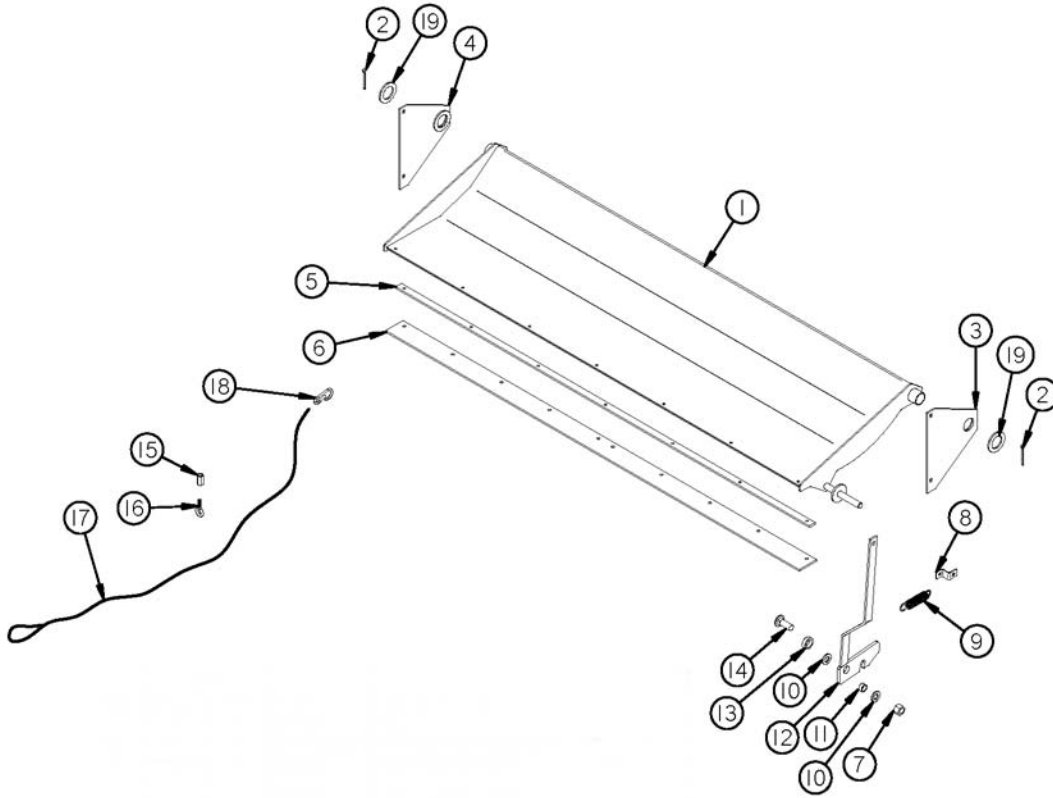
## LIGHTING



<u>ITEM</u>	<u>QTY</u>	<u>PART #</u>	<u>DESCRIPTION</u>
1	2	S310	RED TAIL LIGHT
2	2	S309	YELLOW HAZARD LIGHT
3	4	S308	RUBBER LIGHT MOUNT
4	1	56N155	HARNESS, TAIL LIGHT
5	1	69908	MODULE, CONTROL, BLINKER
6	1	1140	FLASHER MODULE LOOM
7	1	HGV137	LIGHT BRACKET MOUNT LEFT
8	1	55N61	LIGHT BRACKET LEFT
9	1	55N62	LIGHT BRACKET RIGHT
10	14	55N64	METAL CUSHIONED CABLE CLAMPS
11	1	BFR666	EXT. LIGHT HARNESS
12	1	HGV136	LIGHT BRACKET MOUNT RIGHT
13	5	YBHH08010	BOLT, 1/4" X 1" GR. 5
14	10	YBHH12010	BOLT, 3/8" X 1" GR. 5
15	5	YWLO08005	WASHER, LOCK, 1/4"
16	10	YWLO12005	WASHER, LOCK, 3/8"
17	5	YNHX08005	HEX NUT, 1/4"-20
18	10	YNHX12005	HEX NUT, 3/8"-16

# FIGURE 17

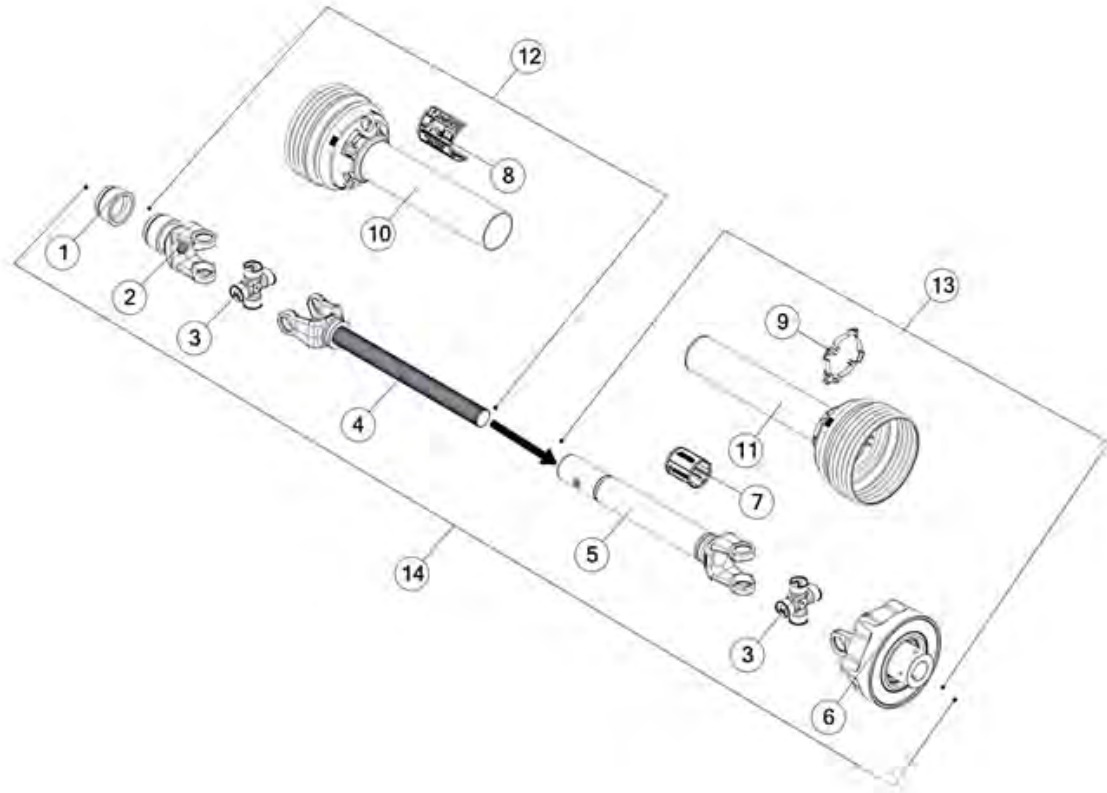
## OPTIONAL REAR PAN



<u>ITEM</u>	<u>QTY</u>	<u>PART #</u>	<u>DESCRIPTION</u>
1	1	42N127	PAN
2	2	YPCT06020	COTTER PIN, 3/16" X 2"
3	1	42N128	PAN PLATE LEFT
4	1	42N129	PAN PLATE RIGHT
5	1	42N130	PAN STRAP
6	1	42N131	RUBBER
7	1	YNLTL24005	HEX NUT, TOP LOCK, 3/4"-10
8	1	F69	BRACKET
9	1	ST36	SPRING
10	2	T73	WASHER
11	1	42N132	LATCH BUSHING
12	1	42N133	LATCH
13	1	42N134	LATCH SPACER
14	1	YBCR24003	CARR. BOLT, 3/4" X 2-1/2" GR. 5
15	1	YNCO12005	HEX NUT, COUPLING, 3/8"-16 X 1-1/8"
16	1	YBTE12005	TURNUED EYE BOLT, 3/8" X 1"
17	1	42N136	ROPE (18')
18	1	YMSN10005	MISC, SNAP HOOK, 5/16
19	2	56N170	PAN WASHER

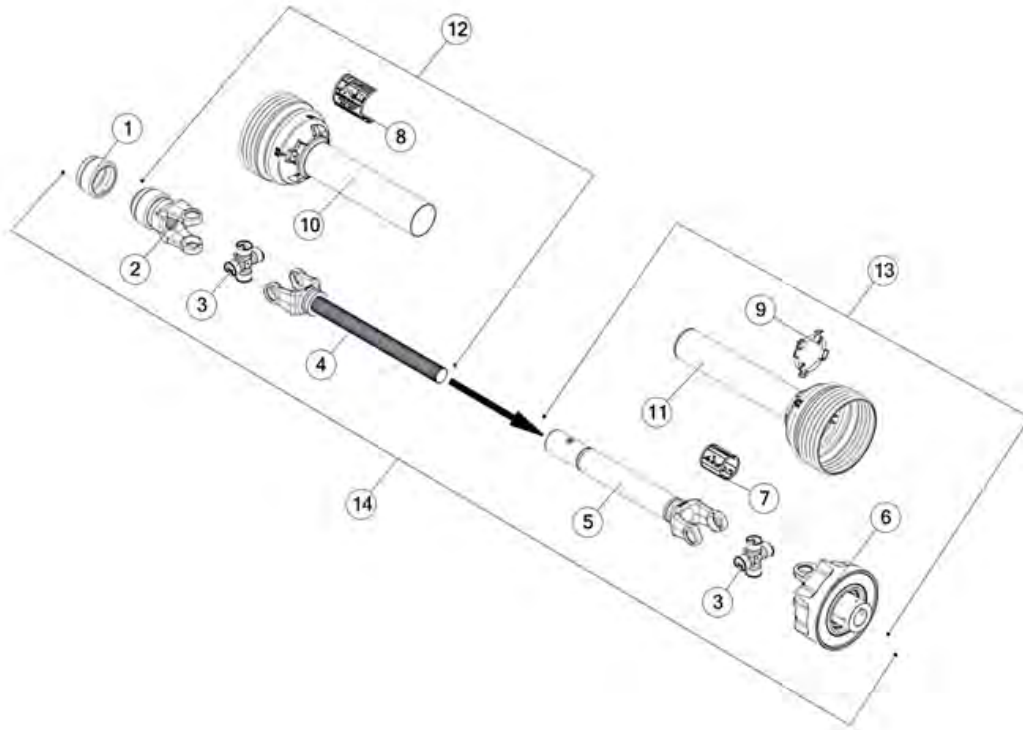
# FIGURE 18

## 1-3/8 1000 RPM CLUTCHED PTO OPTION



<u>ITEM</u>	<u>PART #</u>	<u>DESCRIPTIONS</u>
1	16SV274	ASSY, AUTO LOCK REPAIR KIT
2	55N68	ASSY, YOKE, 35, SLIDE LOCK
3	16SV179	ASSY, CROSS KIT, 35R
4	61375	ASSY, PTO HALF SHAFT
5	61378	WLDMT, HALF SHAFT
6	74196	ASSM, PTO CLUTCH, 16,688
7	16SV388	DECAL, PTO SAFETY INNER GUARD
8	16SV283	DECAL, PTO SAFETY
9	16SV383	ASSY, GUARD REPAIR KIT
10	61376	PTO, GUARD, OUTER
11	61377	PTO, GUARD, INNER
12	74400	ASSY, HALF SHAFT, GUARDED
13	74401	ASSY, HALF SHAFT, GUARDED
14	60422	PTO, 1000, 1.375 X 21, 38.0, 16K
*	S402	ADMA SAFETY MANUAL

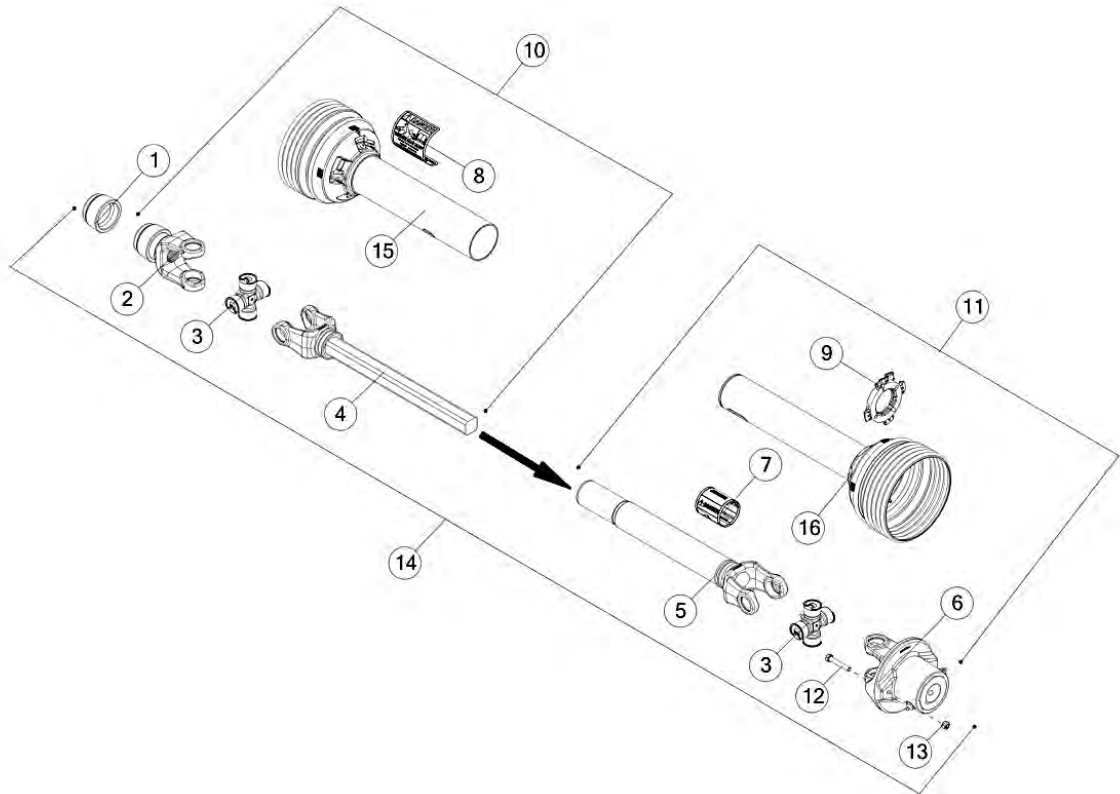
**FIGURE 19**  
**1-3/4 1000 RPM CLUTCHED PTO OPTION**



<b><u>ITEM</u></b>	<b><u>PART #</u></b>	<b><u>DESCRIPTIONS</u></b>
1	16SV275	ASSY, AUTO LOCK REPAIR KIT
2	55N69	ASSY, YOKE, 35, SLIDE LOCK
3	16SV179	ASSY, CROSS KIT, 35R
4	61375	ASSY, PTO HALF SHAFT
5	61378	WLDMT, HALF SHAFT
6	74196	ASSM, PTO CLUTCH, 16,688
7	16SV388	DECAL, PTO SAFETY INNER GUARD
8	16SV283	DECAL, PTO SAFETY
9	16SV383	ASSY, GUARD REPAIR KIT
10	61376	PTO, GUARD, OUTER
11	61377	PTO, GUARD, INNER
12	74398	ASSY, HALF SHAFT, GUARDED
13	74401	ASSY, HALF SHAFT, GUARDED
14	74390	PTO, 1000, 1.75 X 20, 38.0, 16K
*	S402	ADMA SAFETY MANUAL

## FIGURE 20

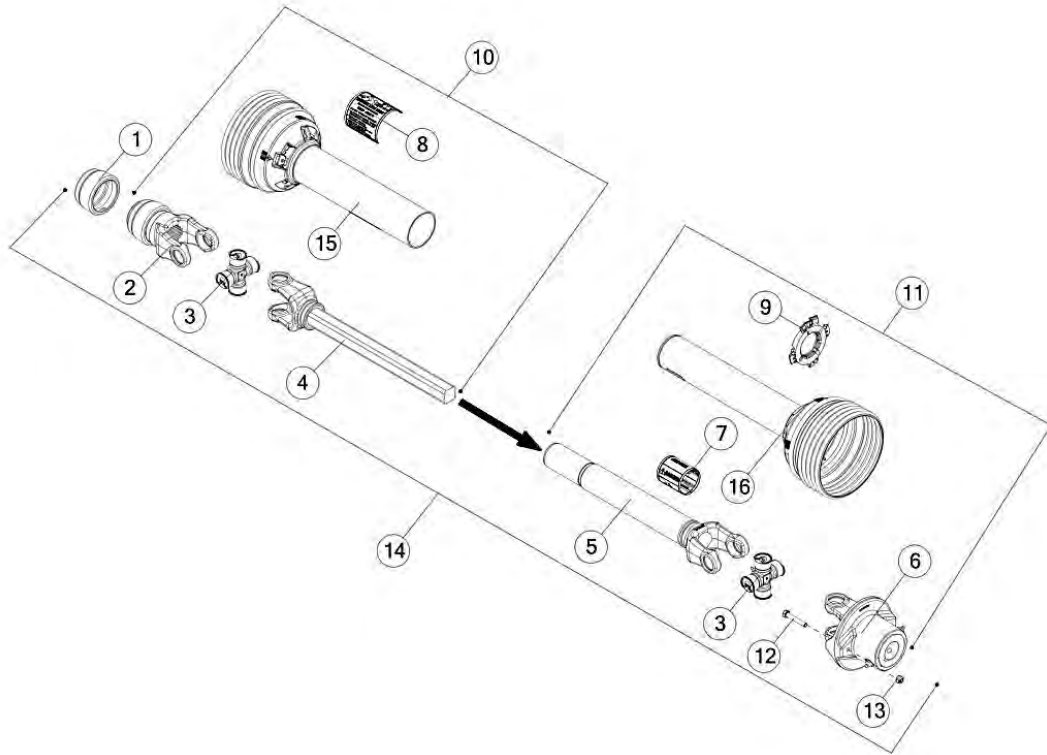
### 1-3/8 1000 RPM SHEAR BOLT PTO OPTION



<u>ITEM</u>	<u>PART #</u>	<u>DESCRIPTIONS</u>
1	16SV274	ASSY, AUTO LOCK REPAIR KIT
2	55N68	ASSY, YOKE, 35, SLIDE LOCK
3	16SV179	ASSY, CROSS KIT, 35R
4	42N116	YOKE, SHAFT, FRONT
5	42N119	YOKE, TUBE, SLIP SLEEVE
6	42N120	ASSY, PTO SHEAR HUB
7	16SV388	DECAL, PTO SAFETY INNER GUARD
8	16SV283	DECAL, PTO SAFETY
9	16SV181	NYLON REPAIR
10	55N72	ASSY, HALF SHAFT, GUARDED
11	55N76	ASSY, HALF SHAFT, GUARDED
12	YBHH10070	BOLT, 5/16 X 2 GR 5
13	YNTL10005	HEX NUT, TOP LOCK, 5/16-18
14	55N78	PTO, 1000, 1.375 X 21, 38.0, 16K
15	42N117	OUTER GUARD
16	42N118	INNER GUARD
*	S402	ADMA SAFETY MANUAL

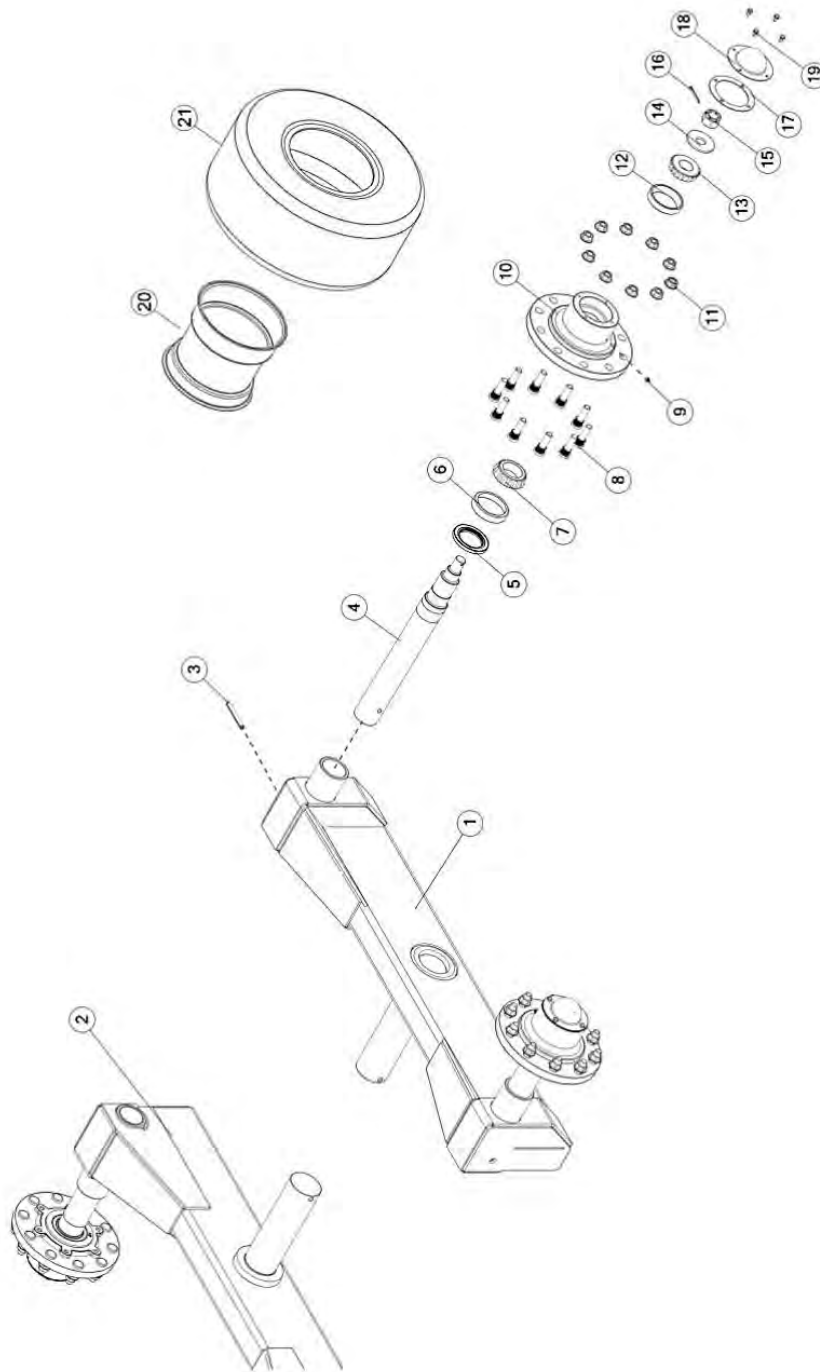
## FIGURE 21

### 1-3/4 1000 RPM SHEAR BOLT PTO OPTION



<u>ITEM</u>	<u>PART #</u>	<u>DESCRIPTIONS</u>
1	16SV275	ASSY, AUTO LOCK REPAIR KIT
2	55N69	ASSY, YOKE, 35, SLIDE LOCK
3	16SV179	ASSY, CROSS KIT, 35R
4	42N116	YOKE, SHAFT, FRONT
5	42N119	YOKE, TUBE, SLIP SLEEVE
6	42N120	ASSY, PTO SHEAR HUB
7	16SV388	DECAL, PTO SAFETY INNER GUARD
8	16SV283	DECAL, PTO SAFETY
9	16SV181	NYLON REPAIR
10	55N73	ASSY, HALF SHAFT, GUARDED
11	55N76	ASSY, HALF SHAFT, GUARDED
12	YBHH10070	BOLT, 5/16 X 2 GR 5
13	YNTL10005	HEX NUT, TOP LOCK, 5/16-18
14	55N79	PTO, 1000, 1.375 X 21, 38.0, 16K
15	42N117	OUTER GUARD
16	42N118	INNER GUARD
*	S402	ADMA SAFETY MANUAL

**FIGURE 22**  
**OPTIONAL TANDEM**



## FIGURE 22

### OPTIONAL TANDEM

<u>ITEM</u>	<u>QTY</u>	<u>PART #</u>	<u>DESCRIPTION</u>
1	1	59595	TANDEM AXLE LEFT
2	1	59596	TANDEM AXLE RIGHT
3	4	YPEX16020	EXPANSION PIN, 1/2" X 4"
4	4	FBC31	TANDEM SPINDLE
5	4	60N5	SEAL--600 BUSHEL
6	4	60N6	INNER RACE--600 BUSHEL
7	4	60N7	INNER BEARING--600 BUSHEL
8	40	YBSD24010	STUD BOLT, 3/4-16UNF X 2-3/4 (3/4 SHOULDER)
9	4	BFR28	1/8" NPT GREASE ZERK
10	4	60N8	871 CAST HUB W/RACES ONLY , 10
11	40	60N4	HEX FLANGE NUT, 3/4-16 UNF-28, GR 8
12	4	60N10	OUTER RACE--600 BUSHEL
13	4	60N9	OUTER BEARING--600 BUSHEL
14	4	60N2	SPINDLE WASHER
15	4	YNCA36005	HEX NUT, CASTLE, 1-1/4"-12
16	4	YPCT07005	COTTER PIN, 7/32 X 2
17	4	56234	HUB CAP GASKET
18	4	60N11	HUB CAP--600 BUSHEL
19	16	YBHH10020	BOLT, 5/16 X 1/2 GR 5
20	4	66777	WHEEL 22.5 X 20
21	4	FBC36	600/50 22.5, TIRE
*	4	59918	TIRE, 600/50R22.5, ON 22.5X20, 10 BOLT

**\*MEANS NOT SHOWN**









**H&S Manufacturing products are approved for the  
FEMA SEAL OF QUALITY**

**P.O. BOX 768, MARSHFIELD, WI 54449  
(715) 387-3414 FAX (715) 384-5463  
[www.hsmfgco.com](http://www.hsmfgco.com)**